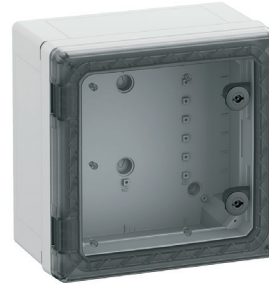




Cat No. 710-433
GEOS-S 3030-18-o
with grey cover



Cat No. 711-433
GEOS-S 3030-18-to
with transparent cover

Description

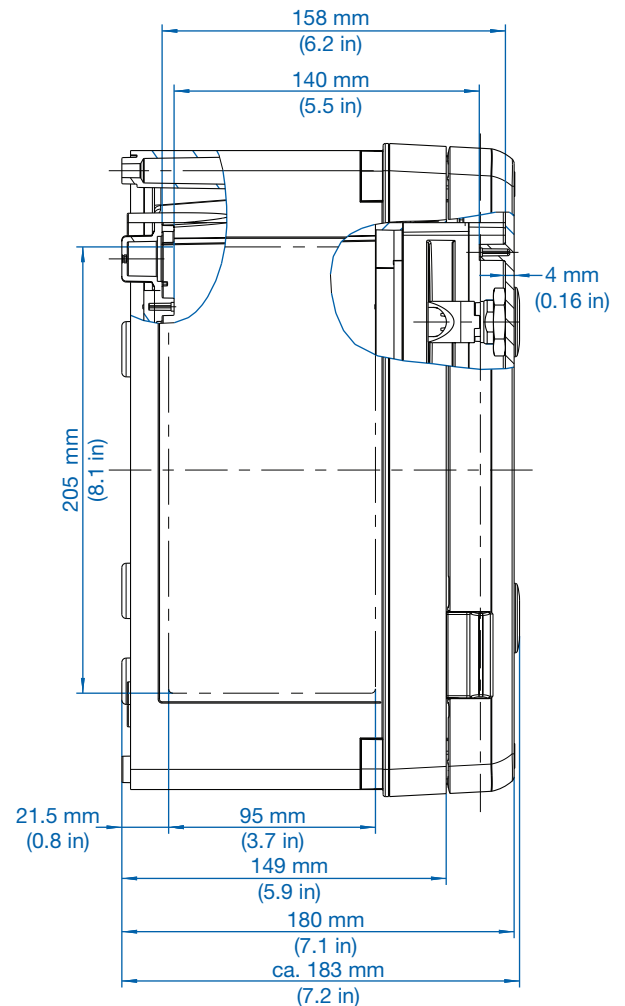
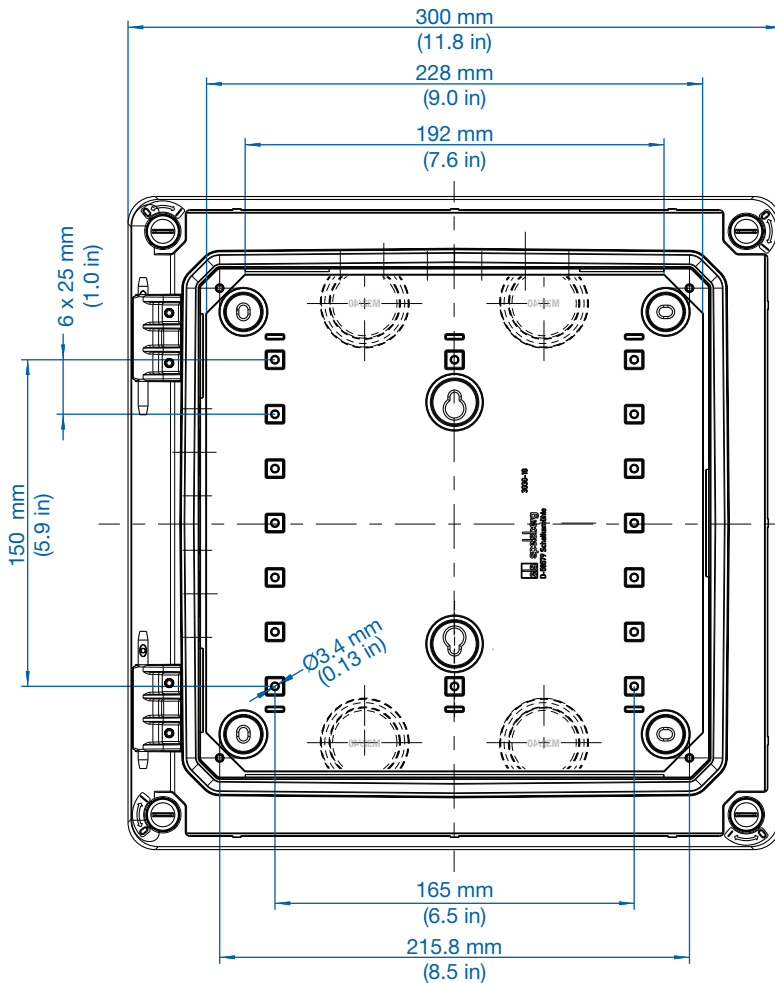
Cabinet - Industrial Quality, suitable for installation in harsh environments and in exposed outside areas, box and frame: glass-fiber reinforced Polycarbonate, grey, similar to RAL 7035, door: Polycarbonate. Door latch: cam lock with 3mm double-bit insert (interchangeable) in accordance to DIN 43668

Size: 300 x 300 x 180 mm
11.8 x 11.8 x 7.1 in



Dimensions

without door, with frame



See pages 19-22 and 25-26 for accessories.