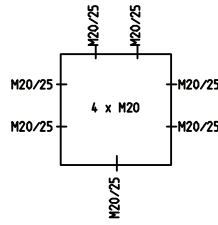
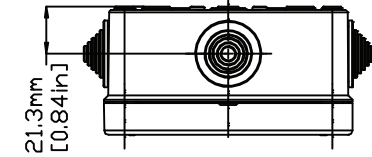
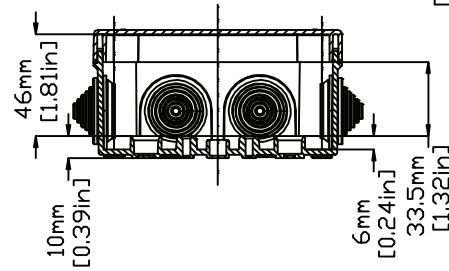


REVISIONS FOR DWG # 3EN-3IS-HP-HP100

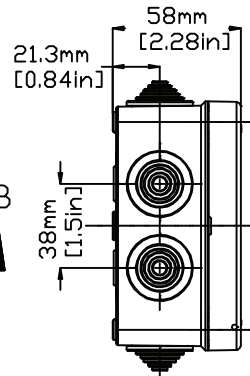
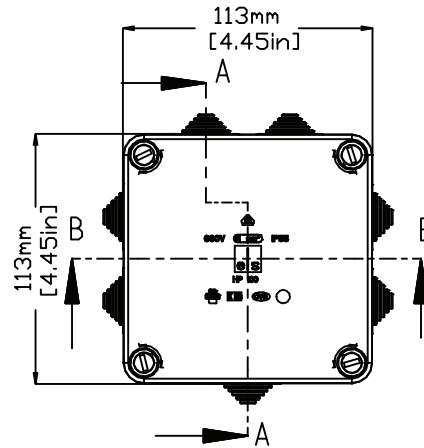
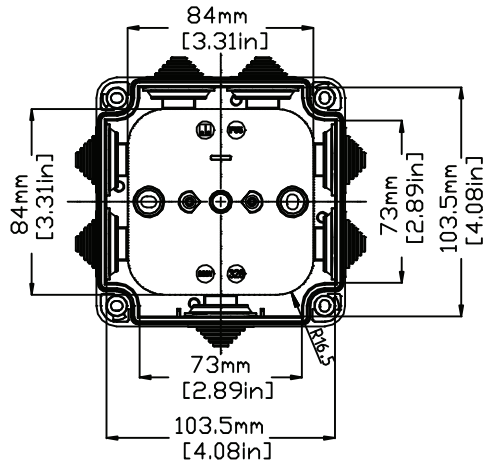
REV	CH.NO.	DESCRIPTION	DATE	REVISED BY
-	-	ORIGINAL DESIGN	08/01/11	ROLAND G



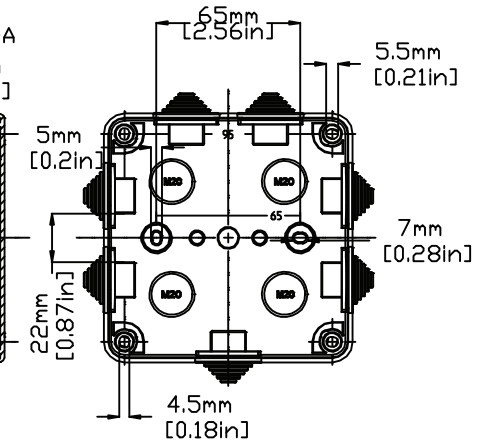
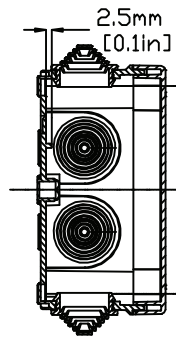
SECTION B-B



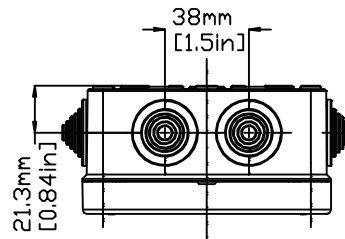
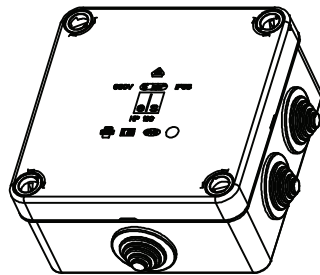
INTERIOR VIEW WITHOUT LID



SECTION A-A



BOTTOM VIEW



UNLESS OTHERWISE SPECIFIED

- ALL DIMENSIONS ARE IN MILLIMETERS
- THIRD ANGLE PROJECTION

• TOLERANCE

XX	±	XX mm
XX.X	±	XX mm
XX.XX	±	XX mm
ALL	±	XX mm

ORTHOGONAL

This Drawing is the property of

**Altech Corp.**

35 Royal Road  
Flemington NJ 08822-6000  
(908) 806-9400 • Fax (908) 806-9490

AND IS A CONFIDENTIAL DISCLOSURE  
LENT WITHOUT CONSIDERATION OTHER  
THAN THE BORROWER'S AGREEMENT  
THAT IT SHALL NOT BE REPRODUCED,  
COPIED, LENT, OR DISPOSED OF  
DIRECTLY OR INDIRECTLY NOR USED  
FOR ANY PURPOSE OTHER THAN THAT  
FOR WHICH IT IS SPECIFICALLY  
FURNISHED.

TITLE: HP 100 POLYPROPYLENE ENCLOSURE  
326-900

DRAWN BY: ROLAND GYORGYPAL	08/01/2011	DRAWING NO.:	3EN-3IS-HP-HP100	REV.:	
CHECKED BY: JEFF ROYE	08/01/2011	SCALE:		SHEET:	1 OF: 1
RELEASED BY: LASZLO G	08/01/2011				