

# GFR Series - 3 Pole+N, C Trip, 30 mA 480Y/277V AC Ground Fault Relay with Overload Protection (RCBO)

The GFR Series is a combined Equipment Ground Fault Relay and Supplementary Protector (RCBO), featuring dual pole switching (live and neutral) and designed to provide protection against overloads and AC ground faults (residual current faults) as well as pulsating DC ground faults. Short Circuit Withstand rating is 10kA.



### Ordering Information

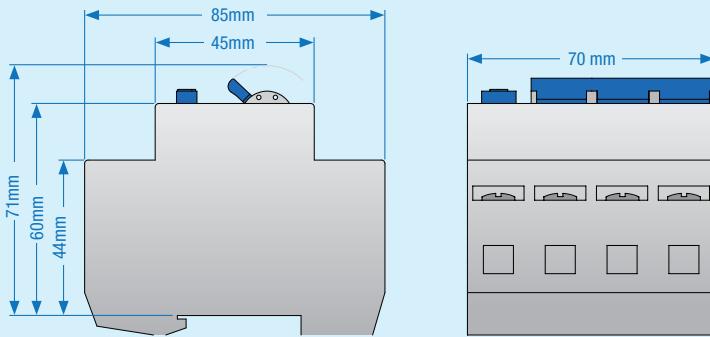
Rated Current	Type/ Cat. No.	Rated Voltage
5.0A	GFR4C05030	480Y/277V AC
6.0A	GFR4C06030	480Y/277V AC
8.0A	GFR4C08030	480Y/277V AC
10A	GFR4C10030	480Y/277V AC
12A	GFR4C12030	480Y/277V AC
13A	GFR4C13030	480Y/277V AC
15A	GFR4C15030	480Y/277V AC
16A	GFR4C16030	480Y/277V AC
20A	GFR4C20030	480Y/277V AC
25A	GFR4C25030	480Y/277V AC
30A	GFR4C30030	480Y/277V AC
32A	GFR4C32030	480Y/277V AC
35A	GFR4C35030	480Y/277V AC
40A	GFR4C40030	480Y/277V AC

**UL 1077**  
Ground Fault Relay  
with Overload Protection

### Technical Specification

Number of Poles	3+N
Voltage Rating (maximum)	480Y/277V AC
Ground Fault Sensitivity Level	30 mA
Short Circuit Withstand Rating	10 kA
Rated Frequency	50/60Hz
Trip Characteristic	C
Cable Size & Tightening Torque	Stranded Wire: 16 - 3 AWG (1.5 mm <sup>2</sup> - 25 mm <sup>2</sup> ) @ 17.5 lb-in (2.0 Nm) Solid Wire: 16 - 10 AWG (1.5 mm <sup>2</sup> - 5.5 mm <sup>2</sup> ) @ 17.5 lb-in (2.0 Nm) 18 - 16 AWG (1 mm <sup>2</sup> - 1.5 mm <sup>2</sup> ) @ 25 lb-in (2.8 Nm)
Electrical Life	6000 Switching Operations
Mechanical Life	10000 Switching Operations

**Dimensions**  
(to convert to inches multiply by 0.03937)

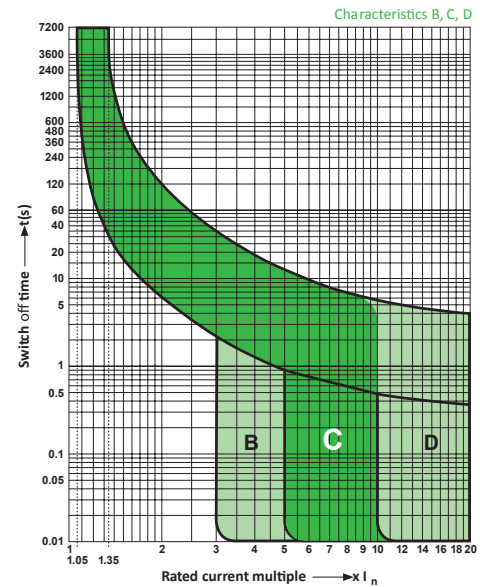


**Weight** 217 g

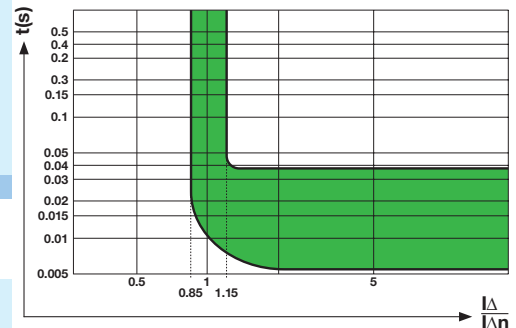
### GFR Series RCBO Short Circuit Withstand Rating

V	I	IR	Backup
3+N Pole	≤20A	10kA	None
480Y/277V AC	>20A	10kA	Class J Fuse 250A or lower Altech L Series Branch Circuit Breaker Altech R Series Supplementary Protector

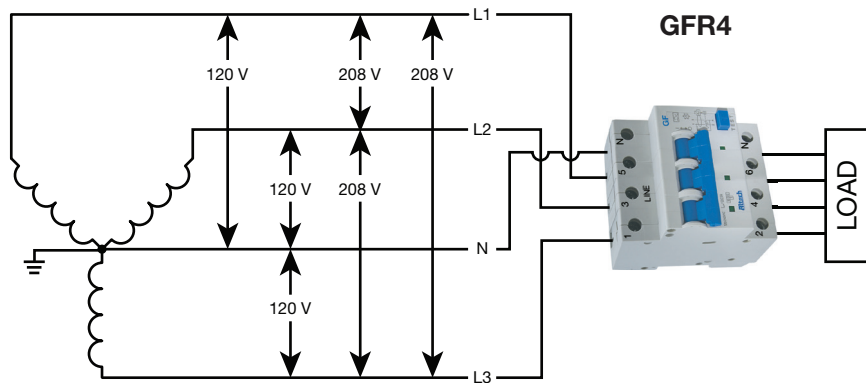
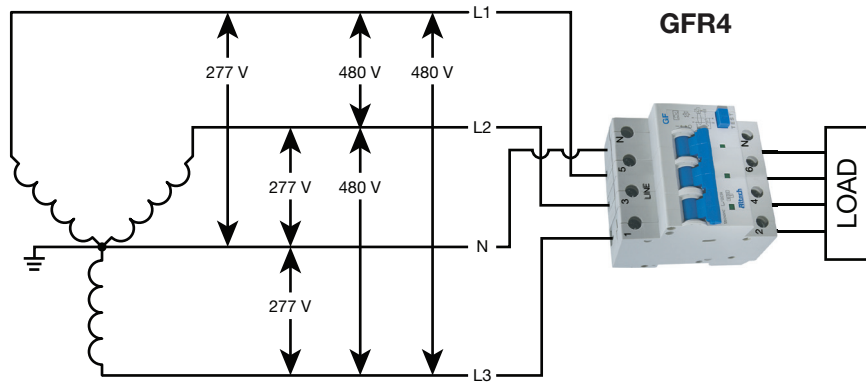
### GFL Series RCBO Overload Trip Curves



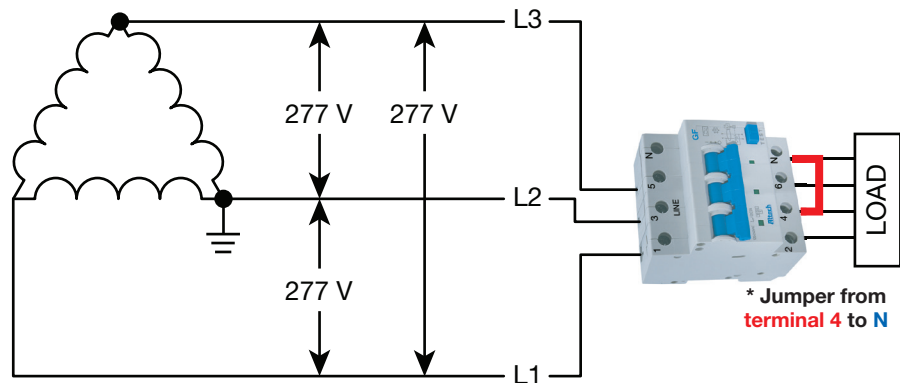
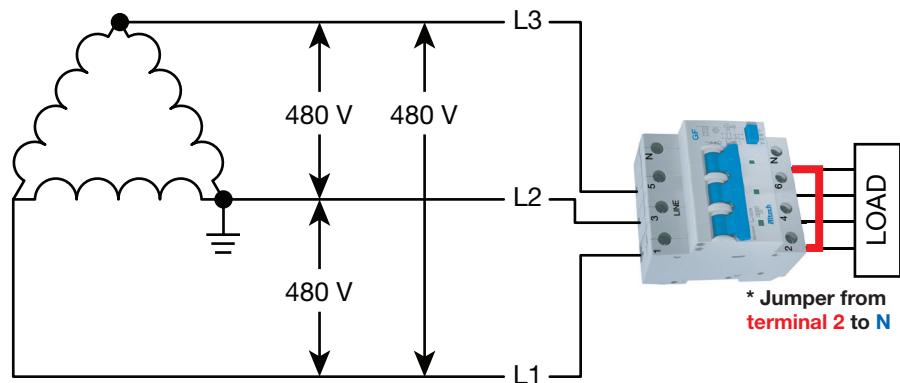
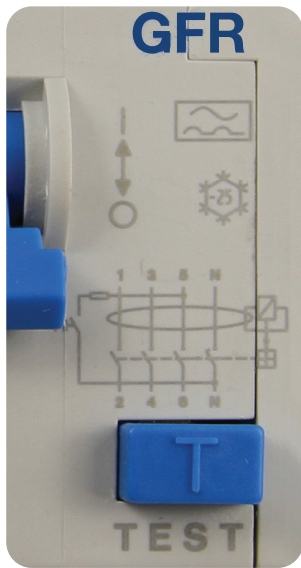
### GFR Series RCBO Ground Fault Trip Curve



GFR Series - 3 Pole+N, C Trip, 30 mA  
 Applicable voltage systems and wiring examples.



UL 1077  
 Ground Fault Relay  
 with Overload Protection



\* Either jumper connection can be used for both voltage configurations.