

GFR Series - 3 Pole+N, B Trip, 30 mA
480Y/277V AC Ground Fault Relay
with Overload Protection (RCBO)

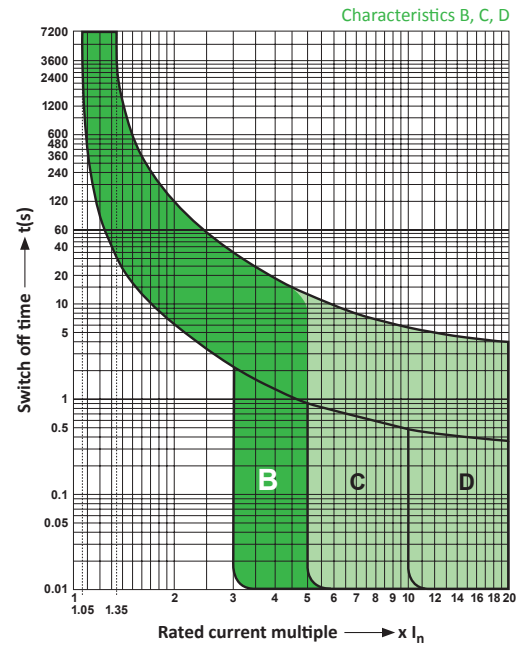
The GFR Series is a combined Equipment Ground Fault Relay and Supplementary Protector (RCBO), featuring three pole switching (live and neutral) and designed to provide protection against overloads and AC ground faults (residual current faults) as well as pulsating DC ground faults.



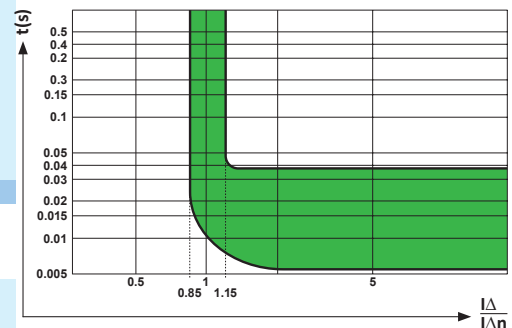
Ordering Information

Rated Current	Type/ Cat. No.	Rated Voltage
5.0A	GFR4B05030	480Y/277V AC
6.0A	GFR4B06030	480Y/277V AC
8.0A	GFR4B08030	480Y/277V AC
10A	GFR4B10030	480Y/277V AC
12A	GFR4B12030	480Y/277V AC
13A	GFR4B13030	480Y/277V AC
15A	GFR4B15030	480Y/277V AC
16A	GFR4B16030	480Y/277V AC
20A	GFR4B20030	480Y/277V AC
25A	GFR4B25030	480Y/277V AC
30A	GFR4B30030	480Y/277V AC
32A	GFR4B32030	480Y/277V AC
35A	GFR4B35030	480Y/277V AC
40A	GFR4B40030	480Y/277V AC

GFR Series RCBO
Overload Trip Curves



GFR Series RCBO
Ground Fault Trip Curve

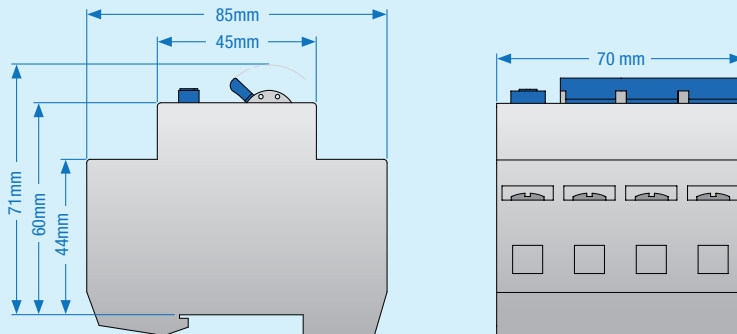


UL 1077
 Ground Fault Relay
 with Overload Protection

Technical Specification

Number of Poles	3+N
Voltage Rating (maximum)	480Y/277V AC
Ground Fault Sensitivity Level	30 mA
Short Circuit Withstand Rating	10 kA
Rated Frequency	50/60Hz
Trip Characteristic	B
Cable Size & Tightening Torque	Stranded Wire: 16 - 3 AWG (1.5 mm ² - 25 mm ²) @ 17.5 lb-in (2.0 Nm) Solid Wire: 16 - 10 AWG (1.5 mm ² - 5.5 mm ²) @ 17.5 lb-in (2.0 Nm) 18 - 16 AWG (1 mm ² - 1.5 mm ²) @ 25 lb-in (2.8 Nm)
Electrical Life	6000 Switching Operations
Mechanical Life	10000 Switching Operations

Dimensions
 (to convert to inches multiply by 0.03937)

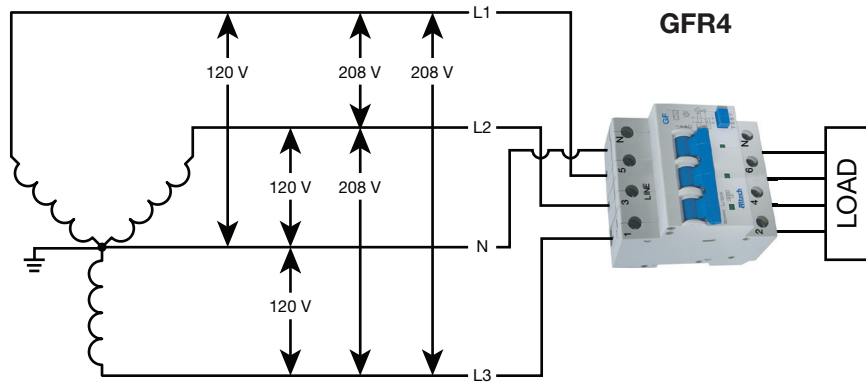
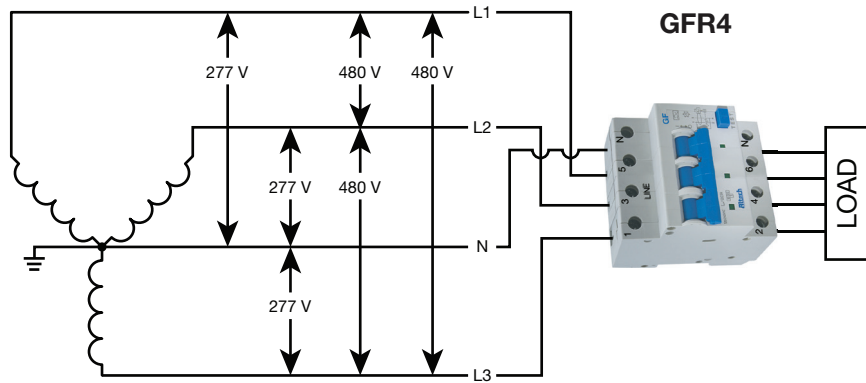


Weight 217 g

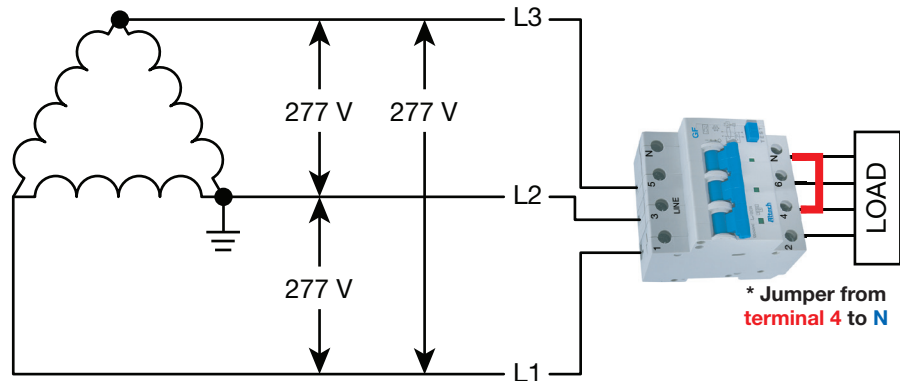
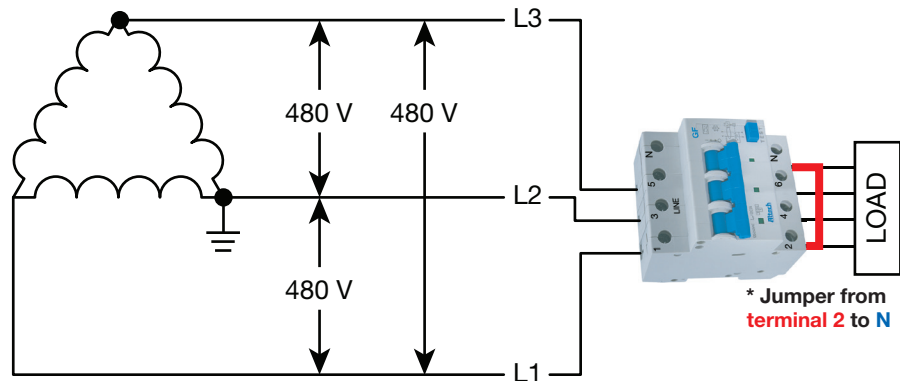
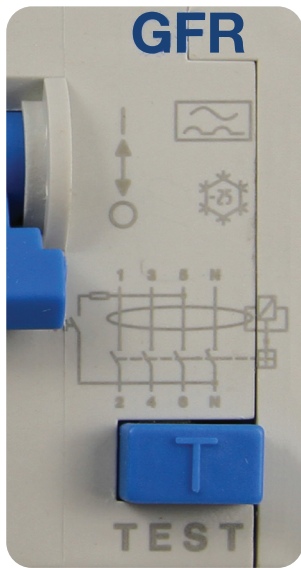
GFR Series RCBO Short Circuit Withstand Rating

V	I	IR	Backup
3+N Pole	≤20A	10kA	None
480Y/277V AC	>20A	10kA	Class J Fuse 250A or lower Altech L Series Branch Circuit Breaker Altech R Series Supplementary Protector

GFR Series - 3 Pole+N, B Trip, 30 mA
 Applicable voltage systems and wiring examples.



UL 1077
Ground Fault Relay



* Either jumper connection can be used for both voltage configurations.