

# GF Series - 1 Pole+N, 300 mA

## 277V AC Ground Fault Sensing and Relaying Device (RCCB)

The GF Series of Equipment Ground Fault Protection Relays (Earth Leakage Protection) is the latest addition to Altech's UL Listed product range, providing ground fault (residual current) protection for circuits with loads up to 63A. Short Circuit Withstand rating is 10kA.



### Ordering Information

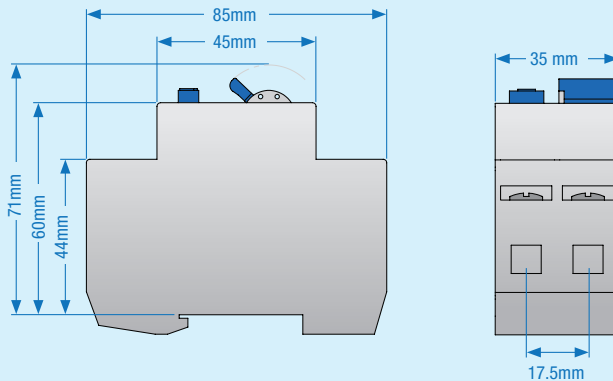
Rated Current	Type/ Cat. No.	Rated Voltage
25A	GF225300	277V AC
40A	GF240300	277V AC
63A	GF263300	277V AC

UL 1053  
Ground Fault Sensing  
and Relaying Device

### Technical Specification

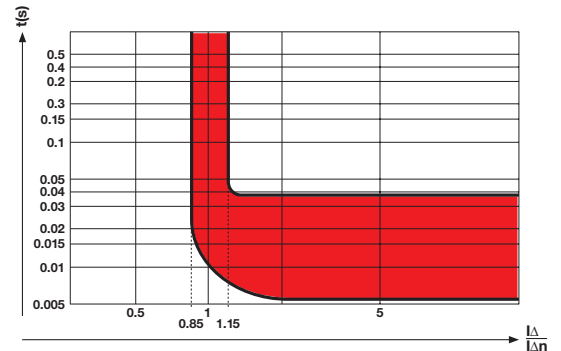
Number of Poles	1+N
Voltage Rating (maximum)	277V AC
Ground Fault Sensitivity Level	300mA
Rated Frequency	50/60Hz
Cable Size & Tightening Torque	Stranded Wire: 16 - 3 AWG (1.5 mm <sup>2</sup> - 25 mm <sup>2</sup> ) @ 17.5 lb-in (2.0 Nm) 16 - 10 AWG (1.5 mm <sup>2</sup> - 5.5 mm <sup>2</sup> ) @ 17.5 lb-in (2.0 Nm) 18 - 16 AWG (1 mm <sup>2</sup> - 1.5 mm <sup>2</sup> ) @ 25 lb-in (2.8 Nm)
Electrical Life	6000 Switching Operations
Mechanical Life	10000 Switching Operations

**Dimensions**  
(to convert to inches multiply by 0.03937)



Weight 217 g

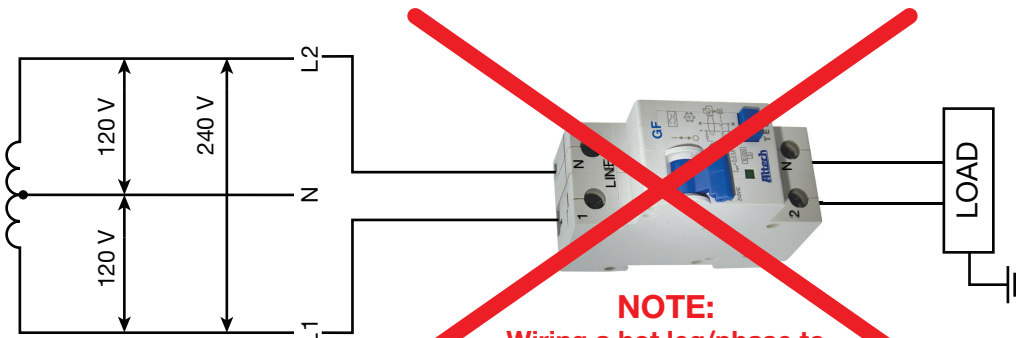
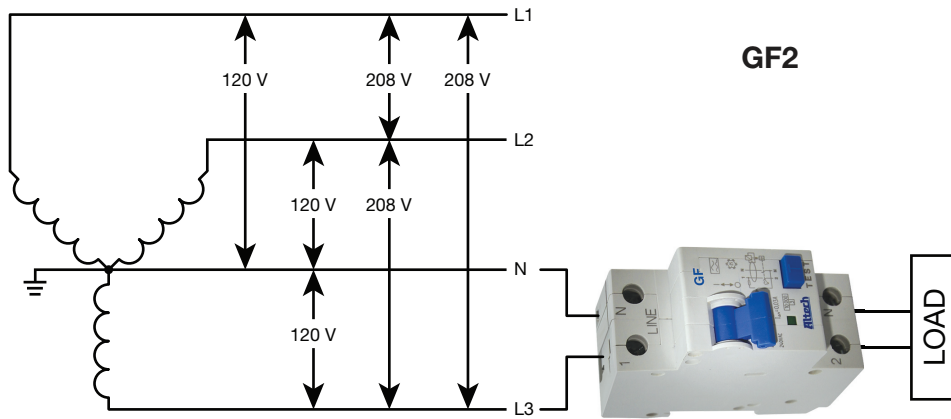
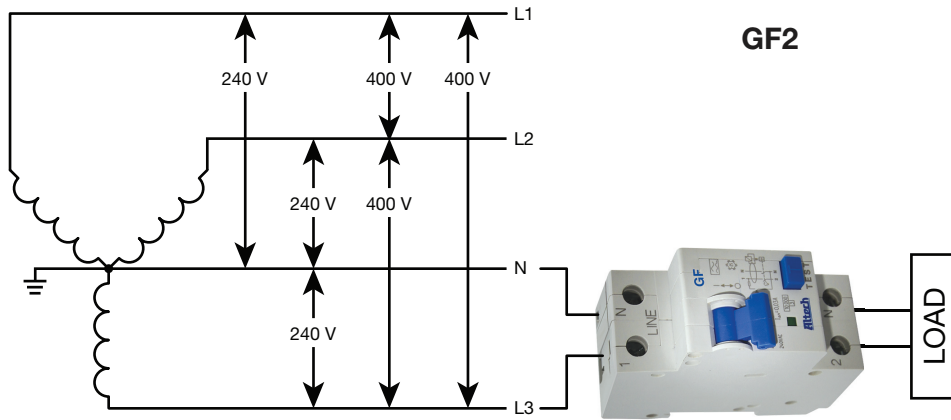
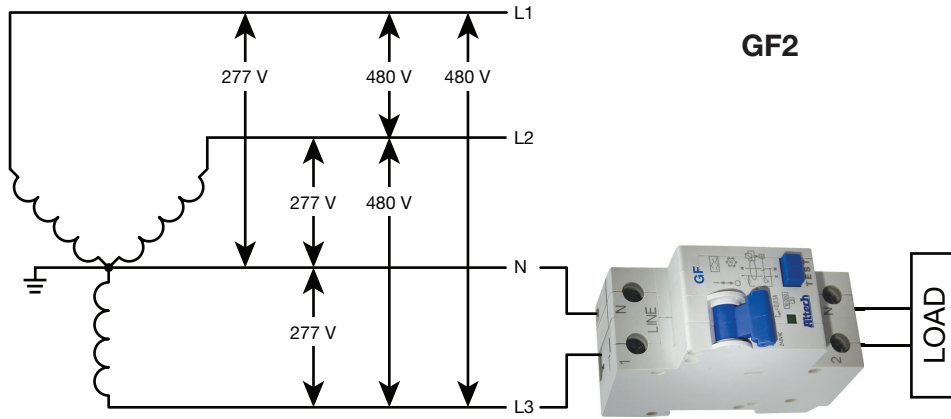
### GF Series RCCB Ground Fault Trip Curve



### GF Series RCCB Short Circuit Withstand Rating

V	IR	Backup
1+N Pole 277V AC	10kA	Class J Fuse 250A or lower Altech L Series Branch Circuit Breaker Altech R Series Supplementary Protector

GF Series - 1 Pole+N, 300 mA  
 Applicable voltage systems and wiring examples.



**NOTE:**  
 Wiring a hot leg/phase to  
 N terminal is not permitted.

UL 1053  
 Ground Fault Sensing  
 and Relaying Device