

Heavy Duty Suspension System

With its large number of components, the BERNSTEIN CS-2000 System 80 suspension system offers technically perfected solutions for a wide range of applications.

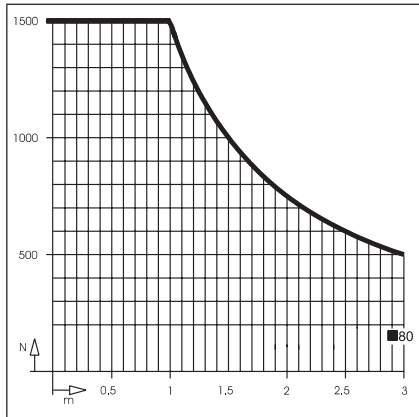
Loads Up to 330 lbs. with a 3 Foot Arm Length

System structure

The following conditions are decisive for selecting the right system:

- Load of overall system
- Clear cable leadthrough if necessary
- Design
- System constellation

After determining the correct size of suspension system, the corresponding components and tubes are selected to build up the required system.



Materials

- Aluminium components: cast aluminium
- Cast steel components: GGG 40
- Welded steel structures: St 37
- Support tubes: St 37
- Bearings: St/PTFE or POM
- Seals: CR
- Installation openings: cast aluminium
- Gaiters: PVC

System features

- Installation openings at all joints for easy cable installation
- Integrated strain relief for gripping cables
- Wide range of available components for variable configurations
- Maintenance-free no-play bearings in all joints and couplings
- Adjustment facilities for precisely aligning support tubes
- Wall and intermediate joints with adjustable torque and retrofitable swivel angle limiter (available as accessory)
- Flange couplings with adjustable firmness and retrofitable rotation angle limiter
- Overhead installation of all components possible

Tubing

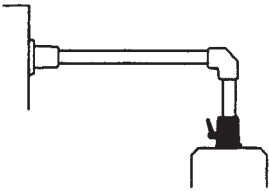

The steel tubes for the CS-2000 System 80 suspension system are available in different lengths (tube lengths in accordance with DIN 7168). The steel tubes are supplied powder-coated in RAL 7035 (light grey). Weight: 11.0 kg/m

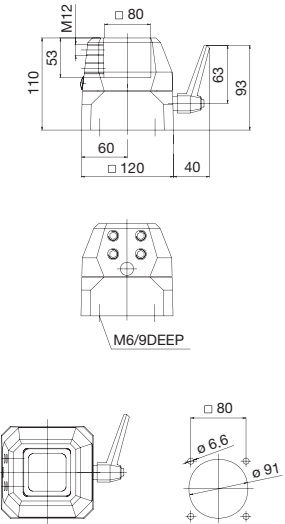
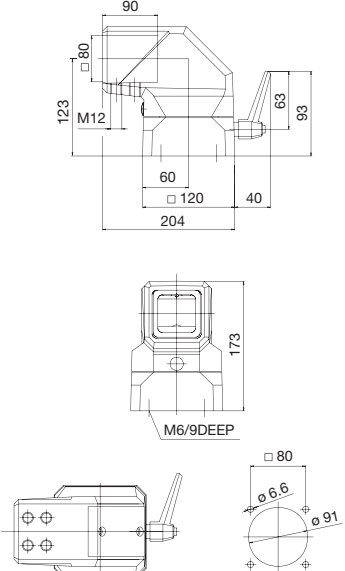
Available tube lengths		
	Length mm	Article number
	250	9527114000
	500	9527115000
	750	9527116000
	1000	9527117000
	1250	9527118000
	1500	9527119000
	2000	9527121000
	3000	9527123000

Article		Standard coupling, flange CS-2000	Elbow coupling, flange CS-2000
Article number	(colour)	1016702000 RAL 7035 light grey	1016705000 RAL 7035 light grey



Details	Angle of rotation 300° with stop. Complete with seals and mounting screws. Adjustable torque	Angle of rotation 300° with stop. Complete with seals and mounting screws. Adjustable torque. Installation opening
Weight in lbs. (g)	7.2 (3270)	9.1 (4100)
Material	Aluminium	Aluminium
Accessories (retrofitable)	Swivel angle limiter 9805176000	Swivel angle limiter 9805176000 Signal lamp adapter 9805189000

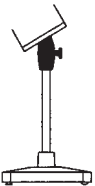
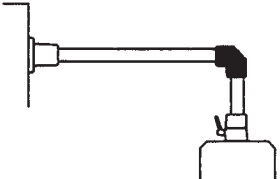
Application example		
----------------------------	--	---

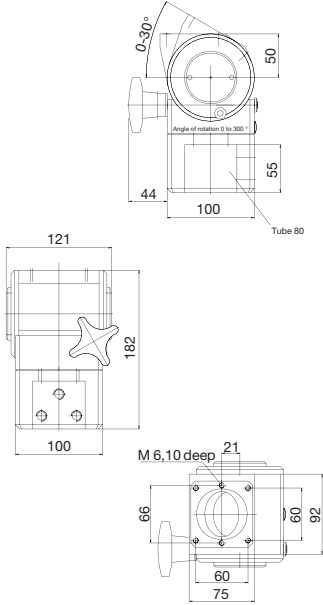
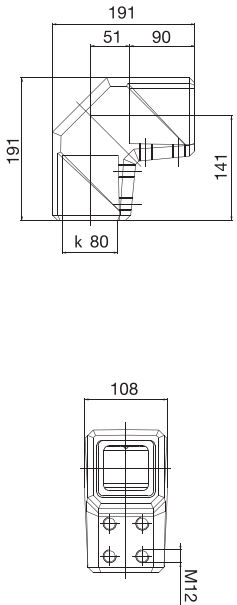
Dimensions in mm		
-------------------------	--	---

Article	Turn/tilt coupling CS-2000	Elbow CS-2000
Article number (colour)	1016321000 RAL 7035 light grey	1016708000 RAL 7035 light grey

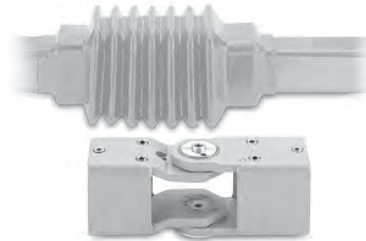


Details	Angle of rotation 300° with stop. Infinitely variable inclination from 0 to 30°. Complete with seals and mounting screws	Installation opening. Complete with seals
Weight in lbs. (g)	6.4 (2900)	6.4 (2900)
Material	Aluminium and PA	Aluminium
Accessories (retrofitable)	Swivel angle limiter 9805130000	Signal lamp adapter 9805189000

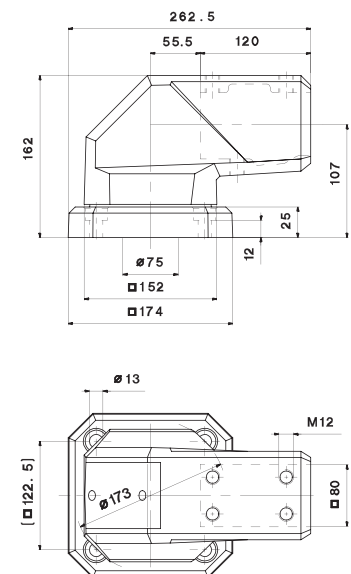
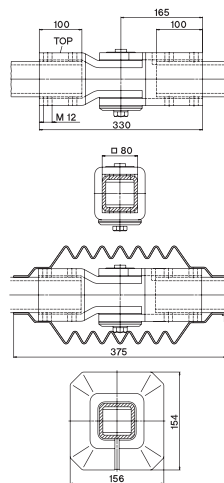
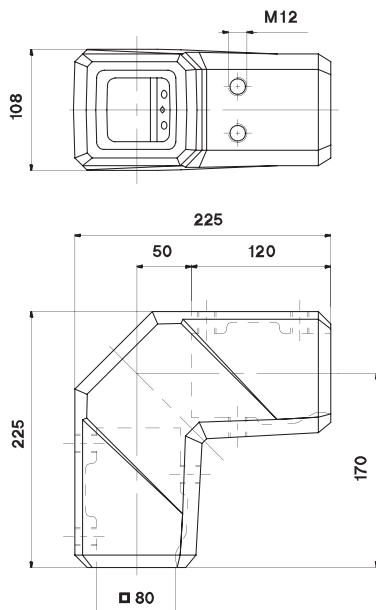
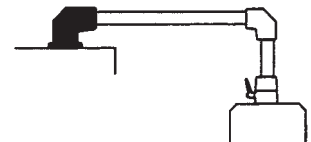
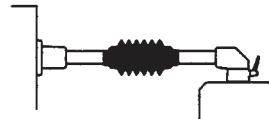
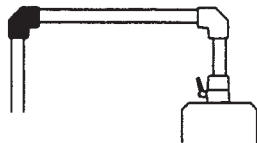
Application example		
		

Dimensions in mm		
		

Elbow for torque load CS-2000	Intermediate joint CS-2000	Top joint CS-2000
1016711000 RAL 7035 light grey	1016471000 RAL 7035 light grey	1016714000 RAL 7035 light grey



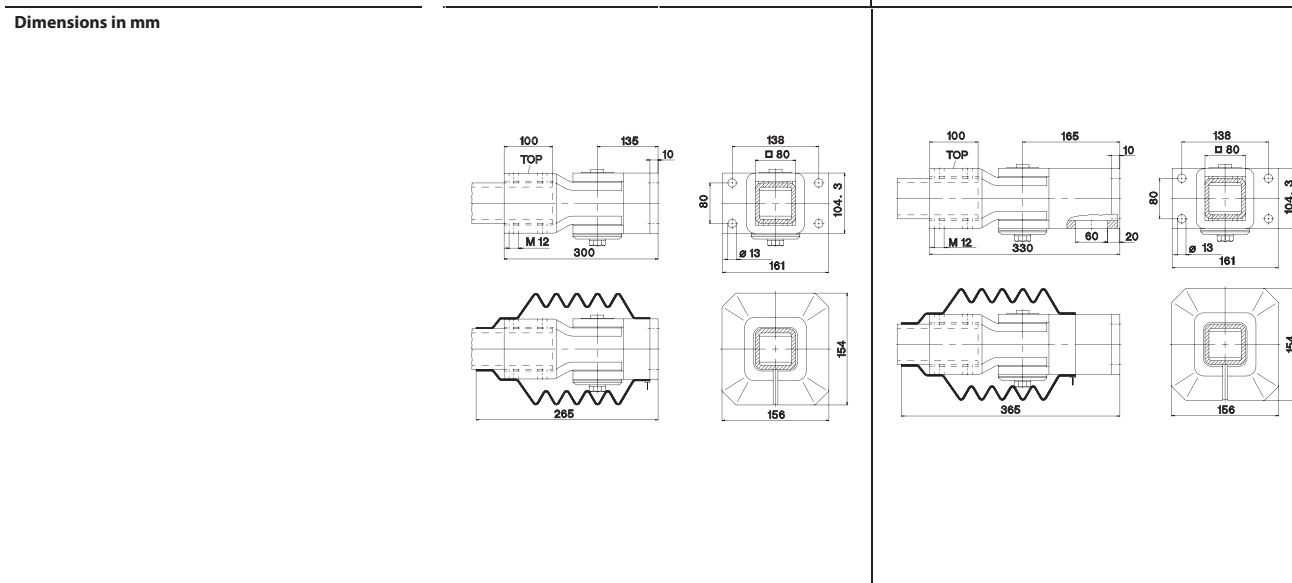
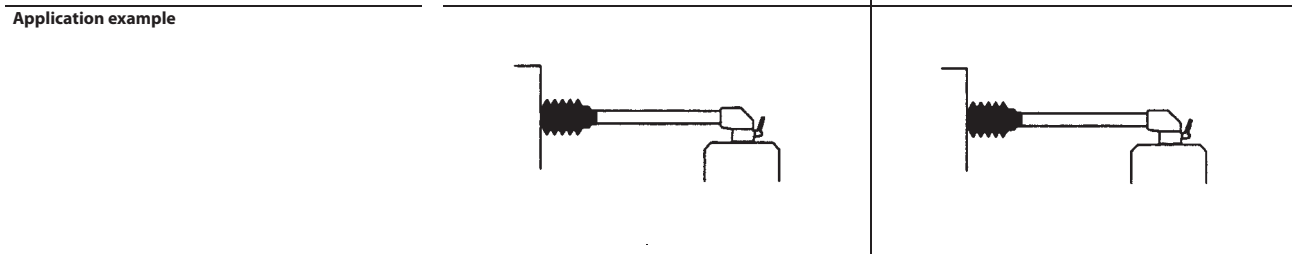
Increased load bearing capacity. Complete with seals. Installation opening	With gaiter attached with zip fastener. Swivel angle 180° with stop on both sides. Torque adjustment	Angle of rotation 306° with stop. Complete with seals and mounting screws.
18.7 (8500)	21.4 (9700)	45.4 (20620)
Aluminium	Steel	GGG
Signal lamp adapter 9805189000	Swivel angle limiter	Swivel angle limiter 9805177000 Signal lamp adapter 9805188000



Article		Wall joint CS-2000		Wall joint for cable leadthrough CS-2000
Article number	(colour)	1016473000	RAL 7035 light grey	1016474000



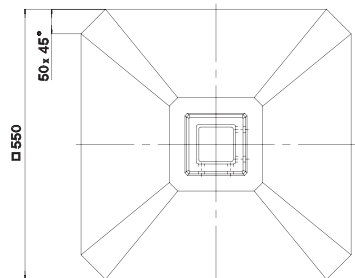
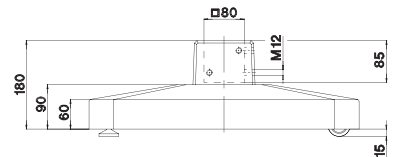
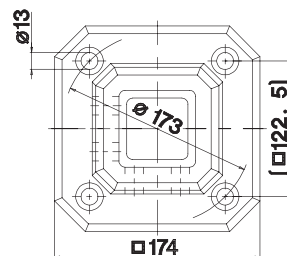
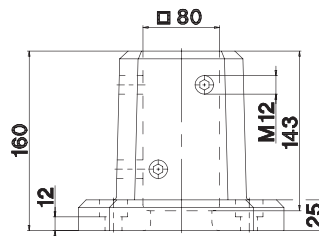
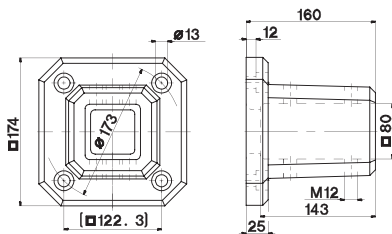
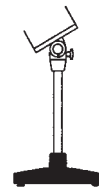
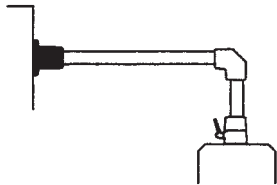
Details	With gaiter attached with zip fastener. Swivel angle 180° with stop on both sides. Torque adjustment	With gaiter attached with zip fastener. Swivel angle 180° with stop on both sides. Torque adjustment
Weight in lbs. (g)	20.4 (9250)	20.9 (9500)
Material	Steel	Steel
Accessories (retrofitable)	Swivel angle limiter 9805062000	Swivel angle limiter 9805062000



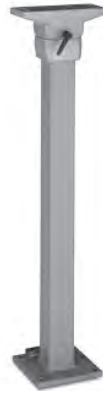
Wall flange CS-2000	Base CS-2000	Free-standing base CS-2000
1016472000 RAL 7035 light grey	1016475000 RAL 7035 light grey	1016323000 RAL 7035 light grey



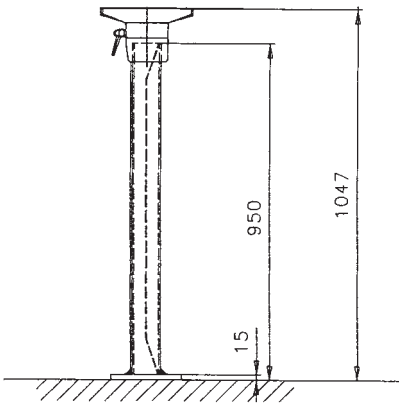
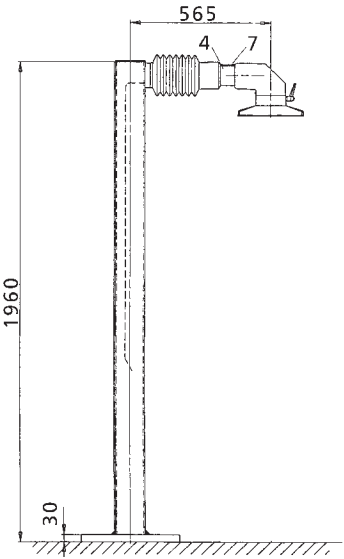
Complete with seals	Complete with seals	For free-standing applications
20.1 (9100) GGG	20.4 (9240) GGG	31.5 (14300) Aluminium
		Castors and Support feet



Article		Support column, upright version	Support column, suspended version, 250 mm tube
Article number	(colour)	1016558000	1016555000
		RAL 7035 light grey	RAL 7035 light grey



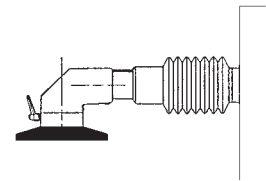
Details		
Weight in lbs. (g)	60.0 (27220)	224 (102000)
Material	Steel / Aluminium	Steel / Aluminium
Accessories (retrofitable)		
Application example		

Dimensions in mm		
		

Support column, suspended version, 500 mm tube	Support column, suspended version, 750 mm tube	Adapter flange CS-2000
1016556000 RAL 7035 light grey	1016557000 RAL 7035 light grey	9806213000 RAL 7035 light grey



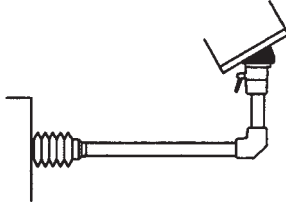
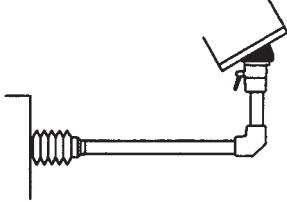
231 (105000) Steel / Aluminium	90 (41000) Steel / Aluminium	2.4 (1100) Aluminium

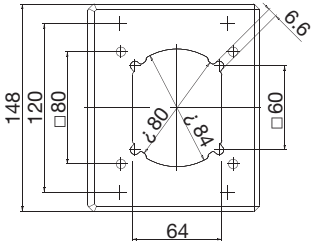
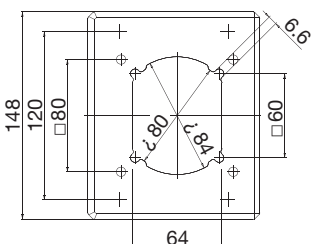
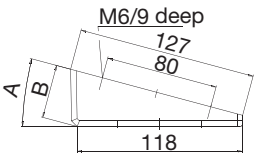
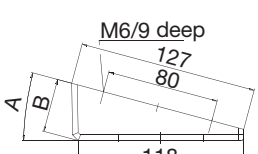


<p>815</p>	<p>1065</p>	<p>260 224 120 80 60 120</p>
------------	-------------	--

Article	Tilt adapter CS-2000 15° = 460	Tilt adapter CS-2000 30° = 600
Article number (colour)	1016459000 RAL 7035 light grey	1016460000 RAL 7035 light grey



Details	A = 15°, B = 39	A = 30°, B = 66
Weight in lbs. (g)	1.0 (460)	1.3 (600)
Material	Aluminium	Aluminium
Accessories (retrofitable)		
Application example		

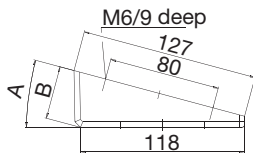
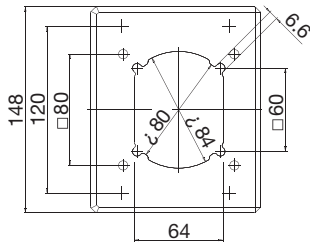
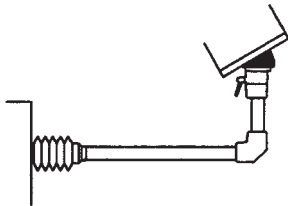
Dimensions in mm	A = 15°, B = 39	A = 30°, B = 66
		
		

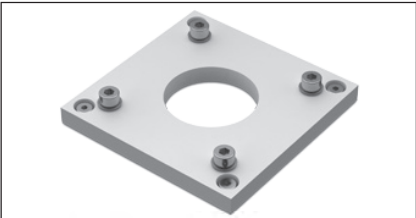
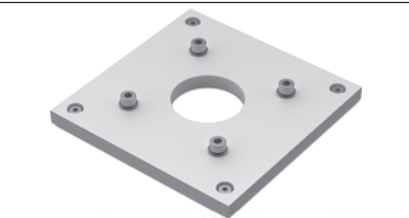
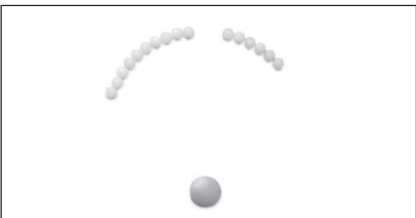
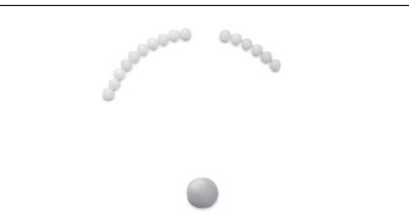


Tilt adapter CS-2000 60° = 800
1016461000 RAL 7035 light grey

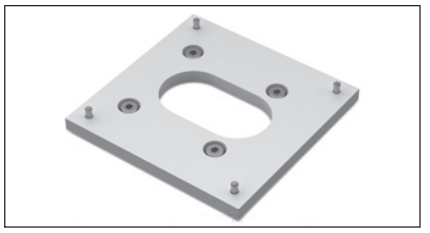
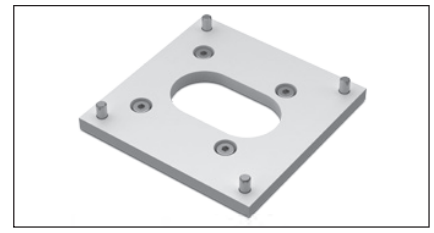
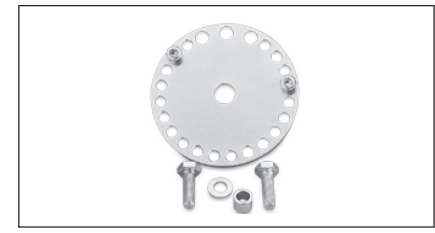
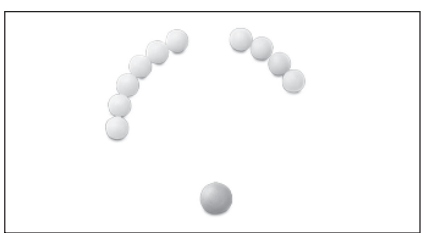
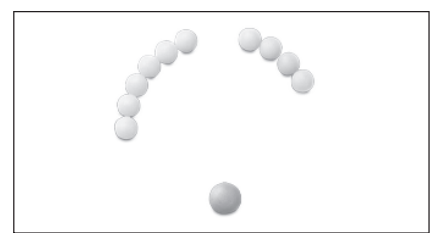
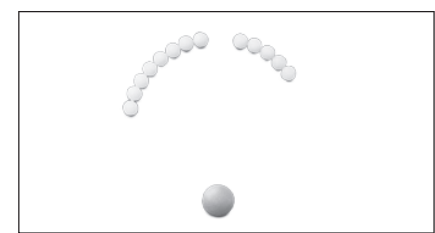




A = 60°, B = 111

1.8 (800)
Aluminium



<p>Article</p> <p>Article number</p>	<p>CS-1000 VESA 75/M4</p> <p>9806675000</p>	<p>CS-1000 VESA 100/M4</p> <p>9806676000</p>
		
<p>Design</p>	<p>For rear attachment of monitors or similar with VESA 75 flange on CS-1000 suspension arm system</p>	<p>For rear attachment of monitors or similar with VESA 100 flange on CS-1000 suspension arm system</p>
<p>Article</p> <p>Article number</p>	<p>Swivel angle limiter for coupling components, CS-2000 SL system</p> <p>9805129000</p>	<p>Swivel angle limiter for coupling components, CS-2000 System 80</p> <p>9805176000</p>
		
<p>Design</p>	<p>Easy-to-retrofit swivel angle limiter. After installation, the balls limit the swivel angle. Adjustable in steps of 8.5°. Material PA.</p>	<p>Easy-to-retrofit swivel angle limiter. After installation, the balls limit the swivel angle. Adjustable in steps of 9°. Material PA.</p>
<p>Article</p> <p>Article number</p>	<p>Signal lamp adapter CS-2000 System 80</p> <p>9805189000</p>	<p>Fixed castors for large free-standing bases CS-2000 SL and CS-2000 System 80</p> <p>9806043000</p>
		
<p>Design</p>	<p>Easy-to-retrofit signal lamp adapter. Installation opening for signal lamp tubes with outside diameter of 25 mm, secured on side with setscrews. Colour: RAL 7035 light grey Material aluminium.</p>	<p>Complete with installation material and instructions for large free-standing bases. Set of 2.</p>

<p>CS-2000 SL Panel VESA 100/M4</p> <p>9806677000</p>	<p>CS-2000 SL Panel VESA 100/M6</p> <p>9806698000</p>	<p>Swivel angle limiter for wall and intermediate joints CS-2000 System 80</p> <p>9805062000</p>
		
<p>For rear attachment of monitors or similar with VESA 100 flange by means of CS-2000-SL panel couplings (with M4 thread for monitors)</p>	<p>For rear attachment of monitors or similar with VESA 100 flange by means of CS-2000-SL panel couplings (with M4 thread for monitors)</p>	<p>Swivel angle limiter as retrofitable accessory kit for wall and intermediate joints. Swivel angle range adjustable and fixed in steps of 15°. Material steel.</p>
<p>Swivel angle limiter for joint components System CS-2000 SL</p> <p>9805132000</p>	<p>Swivel angle limiter for joint components CS-2000 System 80</p> <p>9805177000</p>	<p>Swivel angle limiter for turn/tilt couplings System CS-2000 SL and CS-2000 System 80</p> <p>9805130000</p>
		
<p>Easy-to-retrofit swivel angle limiter. After installation, the balls limit the swivel angle. Adjustable in steps of 14°. Material PA</p>	<p>Easy-to-retrofit swivel angle limiter. After installation, the balls limit the swivel angle. Adjustable in steps of 8.5°. Material PA</p>	<p>Easy-to-retrofit swivel angle limiter. After installation, the balls limit the swivel angle. Adjustable in steps of 8.5°. Material PA</p>
<p>Swivel castors for large free-standing bases CS-2000 SL and CS-2000 System 80</p> <p>9806044000</p>	<p>Adjustment feet for large free-standing bases CS-2000 SL and CS-2000 System 80</p> <p>9806045000</p>	
		
<p>Complete with installation material and instructions for large free-standing bases. Set of 2</p>	<p>Complete with installation material and instructions for large free-standing bases. Set of 2</p>	