



NEW

# TG Series

Featuring an attractive, high-gloss finish, the TG enclosure series is manufactured from high-quality plastics, with a choice of ABS or Polycarbonate for unsurpassed industrial quality. These high quality materials are impact and flame resistant as well as being halogen free. Rated to protection class IP 67, they are not only dustproof but also reliably protect installed electrical or electronic equipment against ingress of water during short-term submersion. The TG series therefore satisfies the most demanding applications and provides sure protection in harsh industrial environments even for highly sensitive electronics.

- 16 sizes available
- IP67 (NEMA TYPE 4X)
- ABS or Polycarbonate
- Gray or transparent covers
- Smooth Sidewalls
- Stainless Steel cover screws (choice of standard screws or 1/4 turn quick release screws)
- Integral cover retainers
- Integral mounting studs in base
- Recessed cover for label inlays or membrane keypads
- Flame resistant and halogen free

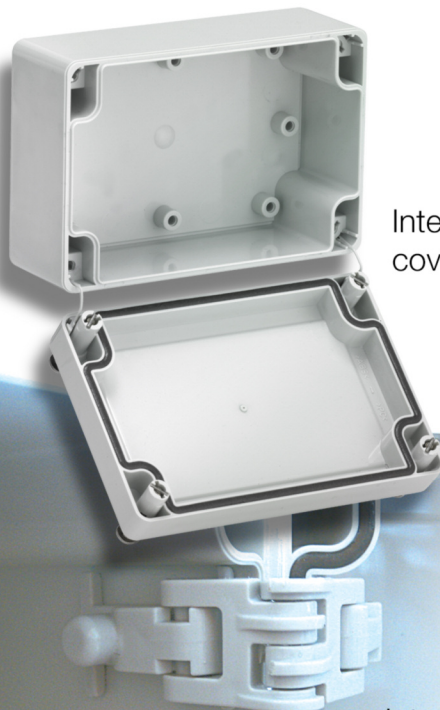
## The TG Advantage



Enclosure Printing.  
Digital printing, screen printing  
and adhesive labels.

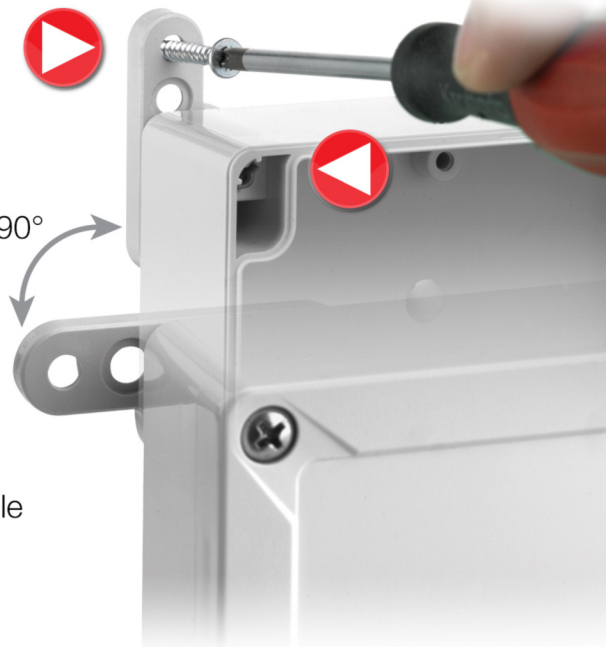


Enclosure mounts through corner  
holes or with optional mounting kit.



Rotates 90°

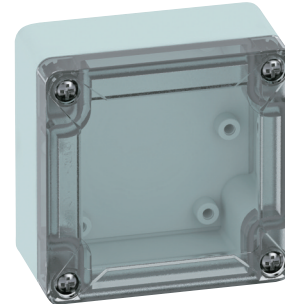
Internal hinges available  
on some models.



# TG88-6 – ABS and Polycarbonate – 84 x 82 x 55 mm (3.31 x 3.23 x 2.17 in.)

## Standard Features

- **Protection Level:** IP67 (UL TYPE 4X/12\*)
- **Technical:**
  - Smooth Sidewalls
  - Gray or Transparent Cover
  - Standard or Quick Turn Screws
  - 60 x 58 x 0.4 mm Recess in Cover
  - Integrated Cover Retainer
- **UL Recognized Enclosure Materials:** ABS or Polycarbonate
- **Transparent Cover Material:** Polycarbonate
- **Gasket Material:** Polyurethane
- **Color:** Light Gray
- **Material Temperature Range:**
  - ABS: -40°C to 80°C (-40°F to 176°F)
  - Polycarbonate: -40°C to 120°C (-40°F to 248°F)
- **Accessories:** See section below



\* UL TYPE 4X (Polycarbonate, standard screws)  
UL TYPE 12 (Polycarbonate, quick turn screws)

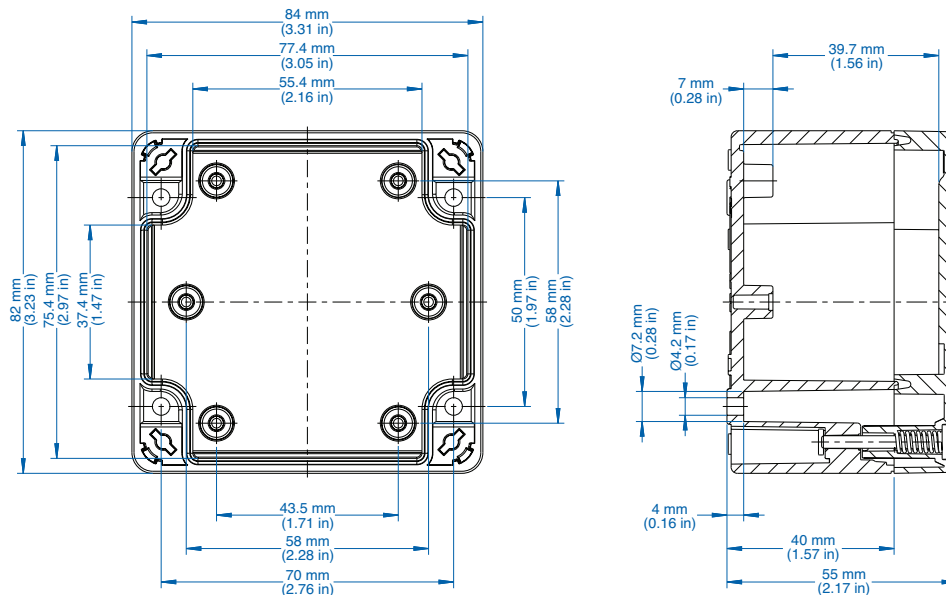
## TG

| Ordering Information | Cat. No. w/ Standard Screws | Cat. No. w/ Quick Turn Screws | Type         | Length           | Dimensions mm (in) |                  | Std. Pk. |
|----------------------|-----------------------------|-------------------------------|--------------|------------------|--------------------|------------------|----------|
|                      |                             |                               |              |                  | Width              | Height           |          |
| <b>ABS</b>           |                             |                               |              |                  |                    |                  |          |
| Gray cover           | 100-403-91                  | 100-403-01                    | TGABS88-6-o  | 84 mm (3.31 in.) | 82 mm (3.23 in.)   | 55 mm (2.17 in.) | 1        |
| Transparent cover    | 101-003-91                  | 101-003-01                    | TGABS88-6-to | 84 mm (3.31 in.) | 82 mm (3.23 in.)   | 55 mm (2.17 in.) | 1        |
| <b>Polycarbonate</b> |                             |                               |              |                  |                    |                  |          |
| Gray cover           | 200-403-91                  | 200-403-01                    | TGPC88-6-o   | 84 mm (3.31 in.) | 82 mm (3.23 in.)   | 55 mm (2.17 in.) | 1        |
| Transparent cover    | 201-003-91                  | 201-003-01                    | TGPC88-6-to  | 84 mm (3.31 in.) | 82 mm (3.23 in.)   | 55 mm (2.17 in.) | 1        |

## Accessories

| Ordering Information     | Cat. No. | Type     | Std. Pk. |
|--------------------------|----------|----------|----------|
| Mounting Plate (plastic) | 186-003  | TGMPI-88 | 1        |
| Mounting Plate (steel)   | 187-003  | TGMPS-88 | 1        |
| DIN Rail – TS35-68       | 198-068  | NS35-68  | 1        |
| DIN Rail - TS15-68       | 197-069  | TS15-68  | 1        |
| Mounting Tab Kit         | 182-002  | TGABL    | 1        |

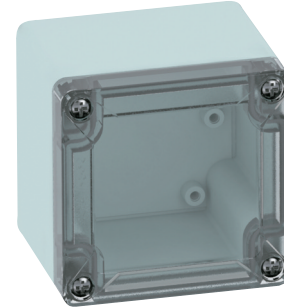
Please refer to pages 149-152 additional accessories and detailed information





**Standard Features**

- **Protection Level:** IP67 (UL TYPE 4X/12\*)
- **Technical:**
  - Smooth Sidewalls
  - Gray or Transparent Cover
  - Standard or Quick Turn Screws
  - 60 x 58 x 0.4 mm Recess in Cover
  - Integrated Cover Retainer
- **UL Recognized Enclosure Materials:** ABS or Polycarbonate
- **Transparent Cover Material:** Polycarbonate
- **Gasket Material:** Polyurethane
- **Color:** Light Gray
- **Material Temperature Range:**
  - ABS: -40°C to 80°C (-40°F to 176°F)
  - Polycarbonate: -40°C to 120°C (-40°F to 248°F)
- **Accessories:** See section below



\* UL TYPE 4X (Polycarbonate, standard screws)  
UL TYPE 12 (Polycarbonate, quick turn screws)

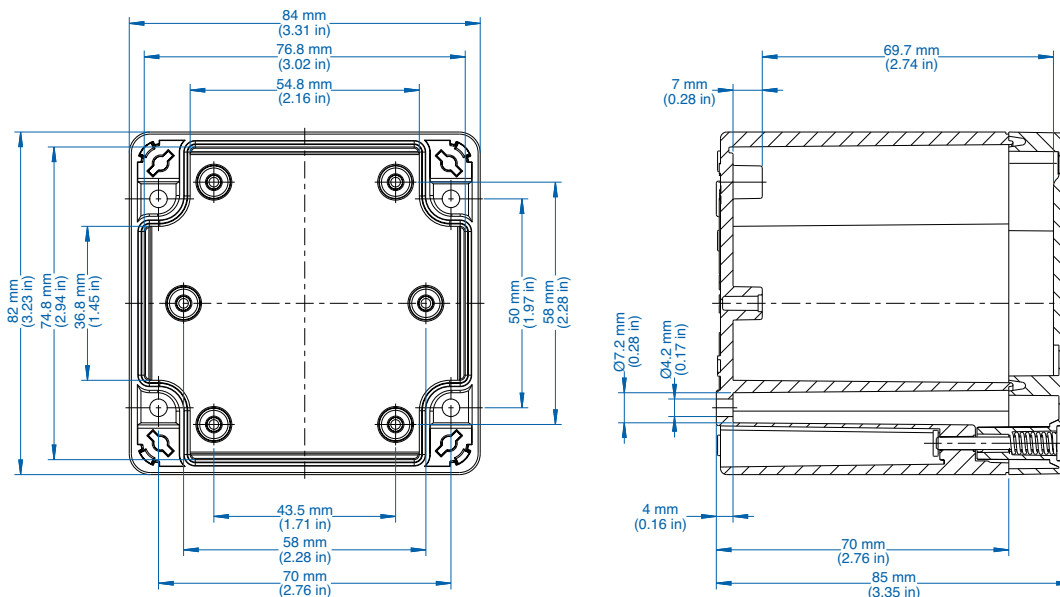
**TG**

| Ordering Information | Cat. No. w/ Standard Screws | Cat. No. w/ Quick Turn Screws | Type         | Length           | Dimensions mm (in) |                  | Std. Pk. |
|----------------------|-----------------------------|-------------------------------|--------------|------------------|--------------------|------------------|----------|
|                      |                             |                               |              |                  | Width              | Height           |          |
| <b>ABS</b>           |                             |                               |              |                  |                    |                  |          |
| Gray cover           | 100-903-91                  | 100-903-01                    | TGABS88-9-o  | 84 mm (3.31 in.) | 82 mm (3.23 in.)   | 85 mm (3.35 in.) | 1        |
| Transparent cover    | 101-503-91                  | 101-503-01                    | TGABS88-9-to | 84 mm (3.31 in.) | 82 mm (3.23 in.)   | 85 mm (3.35 in.) | 1        |
| <b>Polycarbonate</b> |                             |                               |              |                  |                    |                  |          |
| Gray cover           | 200-903-91                  | 200-903-01                    | TGPC88-9-o   | 84 mm (3.31 in.) | 82 mm (3.23 in.)   | 85 mm (3.35 in.) | 1        |
| Transparent cover    | 201-503-91                  | 201-503-01                    | TGPC88-9-to  | 84 mm (3.31 in.) | 82 mm (3.23 in.)   | 85 mm (3.35 in.) | 1        |

**Accessories**

| Ordering Information     | Cat. No. | Type     | Std. Pk. |
|--------------------------|----------|----------|----------|
| Mounting Plate (plastic) | 186-003  | TGMPI-88 | 1        |
| Mounting Plate (steel)   | 187-003  | TGMPS-88 | 1        |
| DIN Rail – TS35-68       | 198-068  | NS35-68  | 1        |
| DIN Rail - TS15-68       | 197-069  | TS15-68  | 1        |
| Mounting Tab Kit         | 182-002  | TGABL    | 1        |

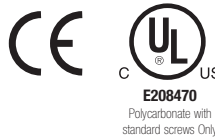
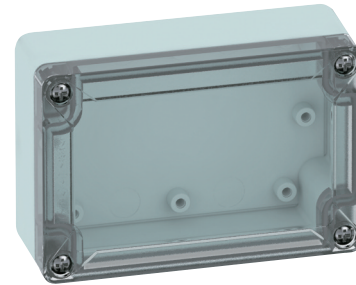
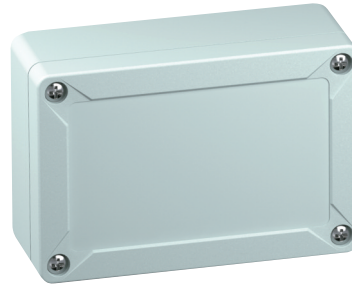
Please refer to pages 149-152 additional accessories and detailed information



# TG1208-6 – ABS and Polycarbonate – 122 x 82 x 55 mm (4.80 x 3.23 x 2.17 in.)

## Standard Features

- **Protection Level:** IP67 (UL TYPE 4X/12\*)
- **Technical:** Smooth Sidewalls  
Gray or Transparent Cover  
Standard or Quick Turn Screws  
98 x 58 x 0.4 mm Recess in Cover  
Integrated Cover Retainer
- **UL Recognized Enclosure Materials:** ABS or Polycarbonate
- **Transparent Cover Material:** Polycarbonate
- **Gasket Material:** Polyurethane
- **Color:** Light Gray
- **Material Temperature Range:** ABS  
-40°C to 80°C (-40°F to 176°F)  
Polycarbonate  
-40°C to 120°C (-40°F to 248°F)
- **Accessories:** See section below



\* UL TYPE 4X (Polycarbonate, standard screws)  
UL TYPE 12 (Polycarbonate, quick turn screws)

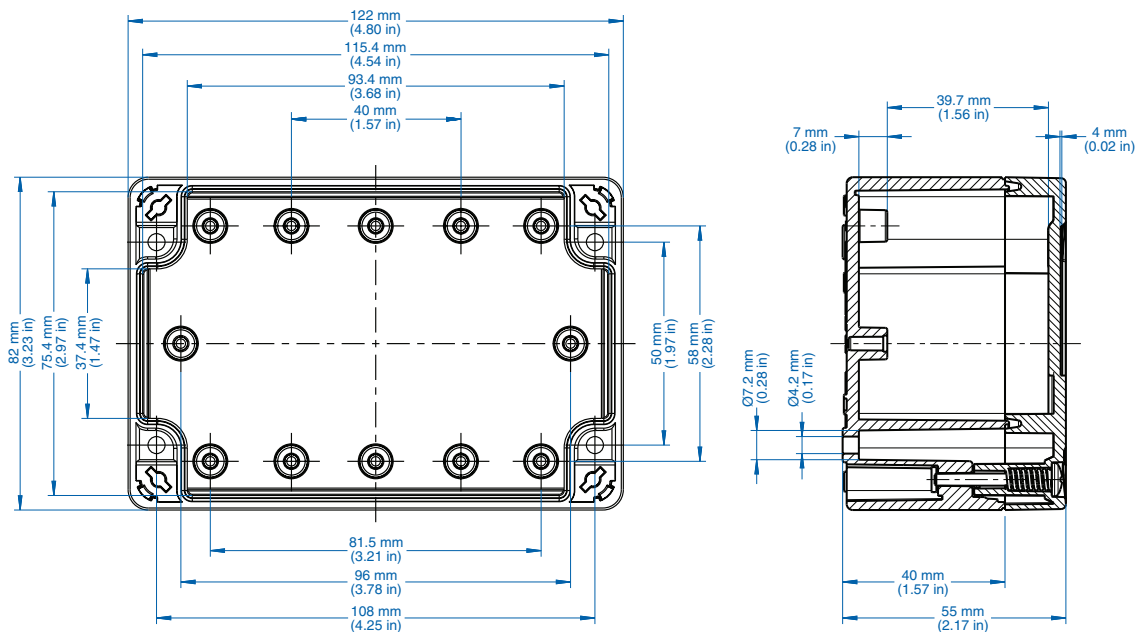
## TG

| Ordering Information | Cat. No. w/ Standard Screws | Cat. No. w/ Quick Turn Screws | Type           | Length            | Dimensions mm (in) |                  | Std. Pk. |
|----------------------|-----------------------------|-------------------------------|----------------|-------------------|--------------------|------------------|----------|
|                      |                             |                               |                |                   | Width              | Height           |          |
| <b>ABS</b>           |                             |                               |                |                   |                    |                  |          |
| Gray cover           | 100-404-91                  | 100-404-01                    | TGABS1208-6-o  | 122 mm (4.80 in.) | 82 mm (3.23 in.)   | 55 mm (2.17 in.) | 1        |
| Transparent cover    | 101-004-91                  | 101-004-01                    | TGABS1208-6-to | 122 mm (4.80 in.) | 82 mm (3.23 in.)   | 55 mm (2.17 in.) | 1        |
| <b>Polycarbonate</b> |                             |                               |                |                   |                    |                  |          |
| Gray cover           | 200-404-91                  | 200-404-01                    | TGPC1208-6-o   | 122 mm (4.80 in.) | 82 mm (3.23 in.)   | 55 mm (2.17 in.) | 1        |
| Transparent cover    | 201-004-91                  | 201-004-01                    | TGPC1208-6-to  | 122 mm (4.80 in.) | 82 mm (3.23 in.)   | 55 mm (2.17 in.) | 1        |

## Accessories

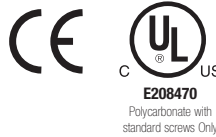
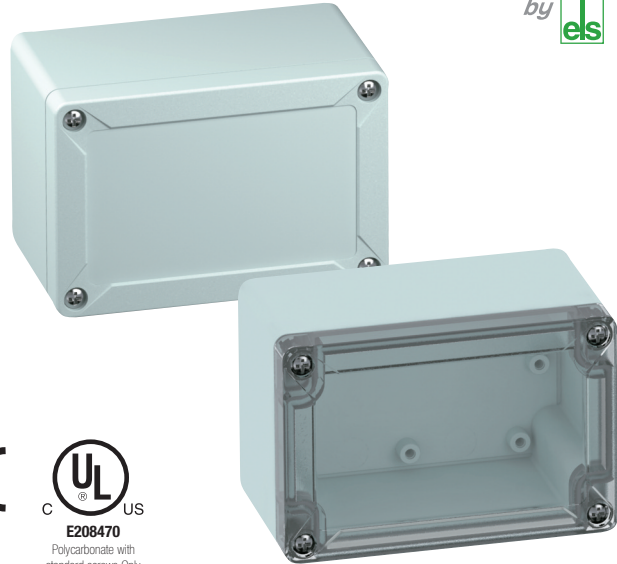
| Ordering Information     | Cat. No. | Type       | Std. Pk. |
|--------------------------|----------|------------|----------|
| Mounting Plate (plastic) | 186-004  | TGMPI-1208 | 1        |
| Mounting Plate (steel)   | 187-004  | TGMPS-1208 | 1        |
| DIN Rail – TS35-106      | 198-107  | NS35-106/2 | 1        |
| DIN Rail - TS15-106      | 197-107  | TS15-106/2 | 1        |
| Mounting Tab Kit         | 182-002  | TGABL      | 1        |

Please refer to pages 149-152 additional accessories and detailed information



**Standard Features**

- **Protection Level:** IP67 (UL TYPE 4X/12\*)
- **Technical:**
  - Smooth Sidewalls
  - Gray or Transparent Cover
  - Standard or Quick Turn Screws
  - 98 x 58 x 0.4 mm Recess in Cover
  - Integrated Cover Retainer
- **UL Recognized Enclosure Materials:** ABS or Polycarbonate
- **Transparent Cover Material:** Polycarbonate
- **Gasket Material:** Polyurethane
- **Color:** Light Gray
- **Material Temperature Range:**
  - ABS: -40°C to 80°C (-40°F to 176°F)
  - Polycarbonate: -40°C to 120°C (-40°F to 248°F)
- **Accessories:** See section below



\* UL TYPE 4X (Polycarbonate, standard screws)  
UL TYPE 12 (Polycarbonate, quick turn screws)

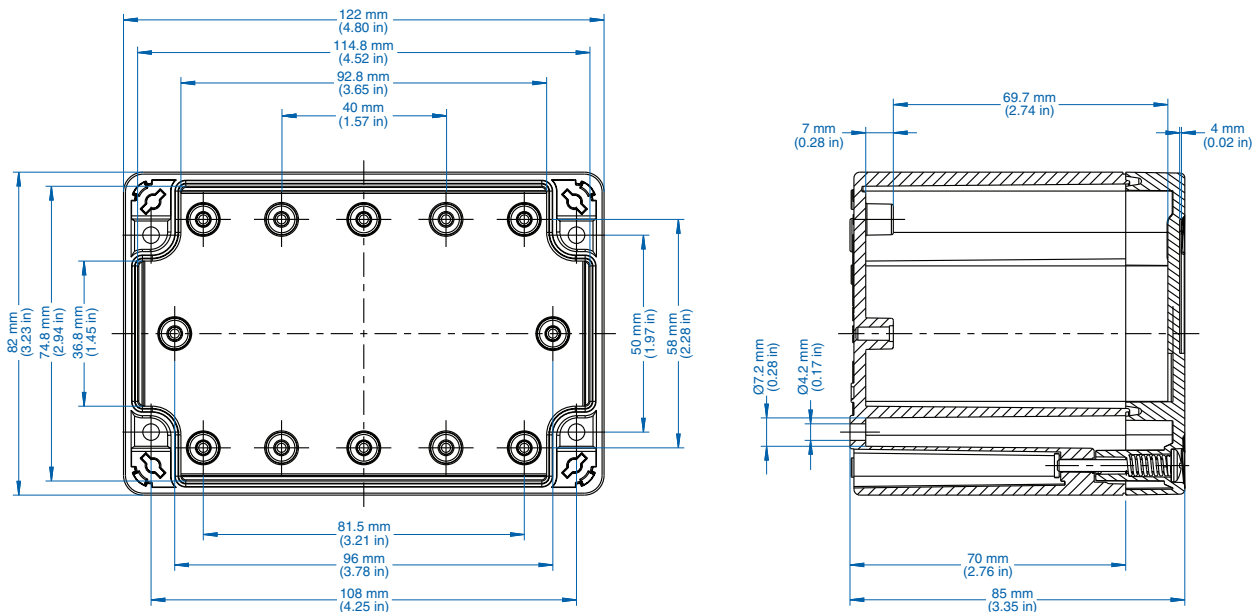
**TG**

| Ordering Information | Cat. No. w/ Standard Screws | Cat. No. w/ Quick Turn Screws | Type           | Length            | Dimensions mm (in) |                  |   | Std. Pk. |
|----------------------|-----------------------------|-------------------------------|----------------|-------------------|--------------------|------------------|---|----------|
|                      |                             |                               |                |                   | Width              | Height           |   |          |
| <b>ABS</b>           |                             |                               |                |                   |                    |                  |   |          |
| Gray cover           | 100-904-91                  | 100-904-01                    | TGABS1208-9-o  | 122 mm (4.80 in.) | 82 mm (3.23 in.)   | 85 mm (3.35 in.) | 1 |          |
| Transparent cover    | 101-504-91                  | 101-504-01                    | TGABS1208-9-to | 122 mm (4.80 in.) | 82 mm (3.23 in.)   | 85 mm (3.35 in.) | 1 |          |
| <b>Polycarbonate</b> |                             |                               |                |                   |                    |                  |   |          |
| Gray cover           | 200-904-91                  | 200-904-01                    | TGPC1208-9-o   | 122 mm (4.80 in.) | 82 mm (3.23 in.)   | 85 mm (3.35 in.) | 1 |          |
| Transparent cover    | 201-504-91                  | 201-504-01                    | TGPC1208-9-to  | 122 mm (4.80 in.) | 82 mm (3.23 in.)   | 85 mm (3.35 in.) | 1 |          |

**Accessories**

| Ordering Information     | Cat. No. | Type       | Std. Pk. |
|--------------------------|----------|------------|----------|
| Mounting Plate (plastic) | 186-004  | TGMPI-1208 | 1        |
| Mounting Plate (steel)   | 187-004  | TGMPS-1208 | 1        |
| DIN Rail – TS35-106      | 198-107  | NS35-106/2 | 1        |
| DIN Rail - TS15-106      | 197-107  | TS15-106/2 | 1        |
| Mounting Tab Kit         | 182-002  | TGABL      | 1        |

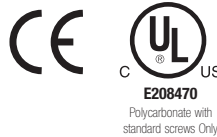
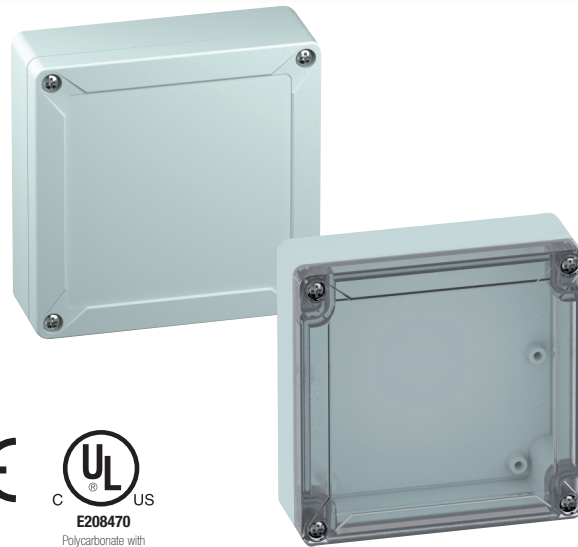
Please refer to pages 149-152 additional accessories and detailed information



# TG1212-6 – ABS and Polycarbonate – 124 x 122 x 55 mm (4.88 x 4.80 x 2.17 in.)

## Standard Features

- **Protection Level:** IP67 (UL TYPE 4X/12\*)
- **Technical:**
  - Smooth Sidewalls
  - Gray or Transparent Cover
  - Standard or Quick Turn Screws
  - 97 x 95 x 0.4 mm Recess in Cover
  - Integrated Cover Retainer
- **UL Recognized Enclosure Materials:** ABS or Polycarbonate
- **Transparent Cover Material:** Polycarbonate
- **Gasket Material:** Polyurethane
- **Color:** Light Gray
- **Material Temperature Range:**
  - ABS: -40°C to 80°C (-40°F to 176°F)
  - Polycarbonate: -40°C to 120°C (-40°F to 248°F)
- **Accessories:** See section below



\* UL TYPE 4X (Polycarbonate, standard screws)  
UL TYPE 12 (Polycarbonate, quick turn screws)

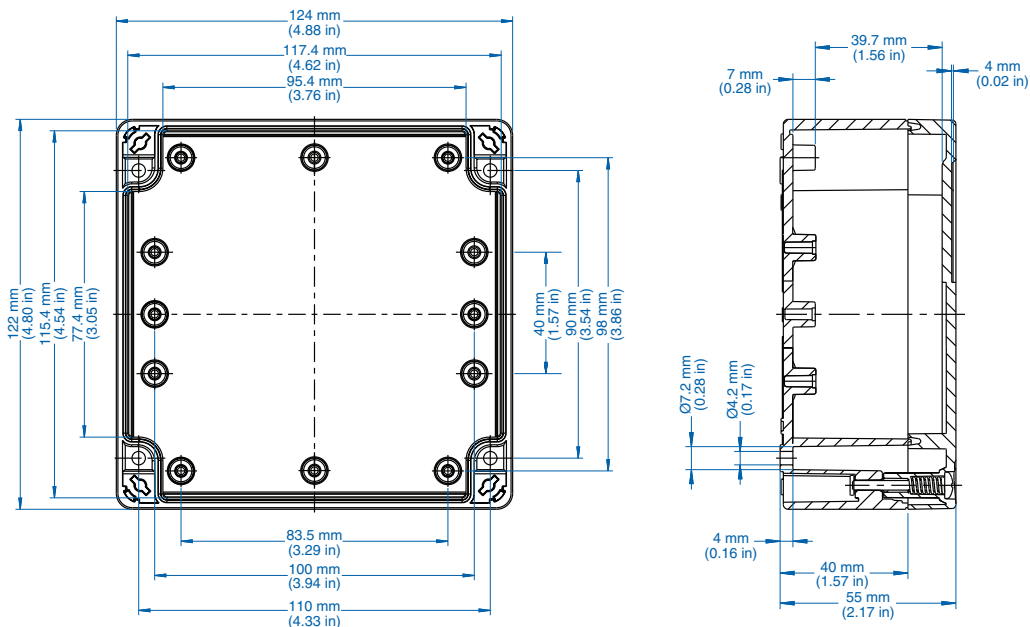
## TG

| Ordering Information | Cat. No.           |                      | Type           | Length            | Dimensions mm (in) |                  |   | Std. Pk. |
|----------------------|--------------------|----------------------|----------------|-------------------|--------------------|------------------|---|----------|
|                      | w/ Standard Screws | w/ Quick Turn Screws |                |                   | Width              | Height           |   |          |
| <b>ABS</b>           |                    |                      |                |                   |                    |                  |   |          |
| Gray cover           | 100-405-91         | 100-405-01           | TGABS1212-6-o  | 124 mm (4.88 in.) | 122 mm (4.80 in.)  | 55 mm (2.17 in.) | 1 |          |
| Transparent cover    | 101-005-91         | 101-005-01           | TGABS1212-6-to | 124 mm (4.88 in.) | 122 mm (4.80 in.)  | 55 mm (2.17 in.) | 1 |          |
| <b>Polycarbonate</b> |                    |                      |                |                   |                    |                  |   |          |
| Gray cover           | 200-405-91         | 200-405-01           | TGPC1212-6-o   | 124 mm (4.88 in.) | 122 mm (4.80 in.)  | 55 mm (2.17 in.) | 1 |          |
| Transparent cover    | 201-005-91         | 201-005-01           | TGPC1212-6-to  | 124 mm (4.88 in.) | 122 mm (4.80 in.)  | 55 mm (2.17 in.) | 1 |          |

## Accessories

| Ordering Information              | Cat. No. | Type       | Std. Pk. |
|-----------------------------------|----------|------------|----------|
| Mounting Plate (plastic)          | 186-005  | TGMPI-1212 | 1        |
| Mounting Plate (steel)            | 187-005  | TGMPS-1212 | 1        |
| DIN Rail – TS35-110               | 198-110  | NS35-110   | 1        |
| DIN Rail - TS15-110               | 197-110  | TS15-110   | 1        |
| Internal Hinge Kit Set (longside) | 182-001  | TGISS      | 1        |
| Mounting Tab Kit                  | 182-002  | TGABL      | 1        |

Please refer to pages 149-152 additional accessories and detailed information



**Standard Features**

- **Protection Level:** IP67 (UL TYPE 4X/12\*)
- **Technical:** Smooth Sidewalls  
Gray or Transparent Cover  
Standard or Quick Turn Screws  
97 x 95 x 0.4 mm Recess in Cover  
Integrated Cover Retainer

- **UL Recognized Enclosure Materials:** ABS or Polycarbonate

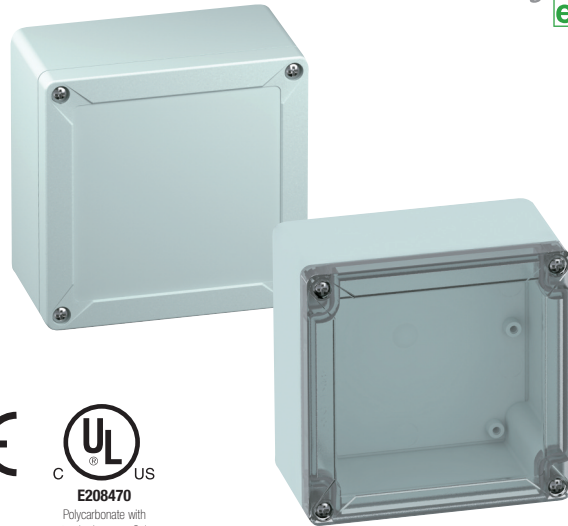
- **Transparent Cover Material:** Polycarbonate

- **Gasket Material:** Polyurethane

- **Color:** Light Gray

- **Material Temperature Range:** ABS  
-40°C to 80°C (-40°F to 176°F)  
Polycarbonate  
-40°C to 120°C (-40°F to 248°F)

- **Accessories:** See section below



\* UL TYPE 4X (Polycarbonate, standard screws)  
UL TYPE 12 (Polycarbonate, quick turn screws)

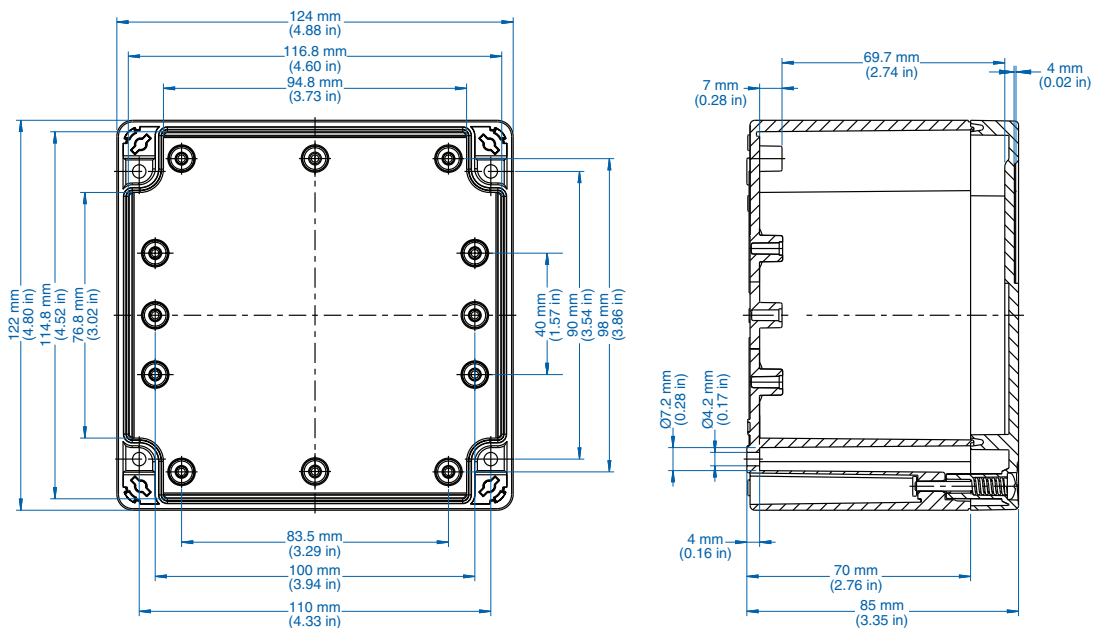
**TG**

| Ordering Information | Cat. No. w/ Standard Screws | Cat. No. w/ Quick Turn Screws | Type           | Length            | Dimensions mm (in)<br>Width | Height           | Std. Pk. |
|----------------------|-----------------------------|-------------------------------|----------------|-------------------|-----------------------------|------------------|----------|
| <b>ABS</b>           |                             |                               |                |                   |                             |                  |          |
| Gray cover           | 100-905-91                  | 100-905-01                    | TGABS1212-9-o  | 124 mm (4.88 in.) | 122 mm (4.80 in.)           | 85 mm (3.35 in.) | 1        |
| Transparent cover    | 101-505-91                  | 101-505-01                    | TGABS1212-9-to | 124 mm (4.88 in.) | 122 mm (4.80 in.)           | 85 mm (3.35 in.) | 1        |
| <b>Polycarbonate</b> |                             |                               |                |                   |                             |                  |          |
| Gray cover           | 200-905-91                  | 200-905-01                    | TGPC1212-9-o   | 124 mm (4.88 in.) | 122 mm (4.80 in.)           | 85 mm (3.35 in.) | 1        |
| Transparent cover    | 201-505-91                  | 201-505-01                    | TGPC1212-9-to  | 124 mm (4.88 in.) | 122 mm (4.80 in.)           | 85 mm (3.35 in.) | 1        |

**Accessories**

| Ordering Information              | Cat. No. | Type       | Std. Pk. |
|-----------------------------------|----------|------------|----------|
| Mounting Plate (plastic)          | 186-005  | TGMPI-1212 | 1        |
| Mounting Plate (steel)            | 187-005  | TGMPS-1212 | 1        |
| DIN Rail – TS35-110               | 198-110  | NS35-110   | 1        |
| DIN Rail - TS15-110               | 197-110  | TS15-110   | 1        |
| Internal Hinge Kit Set (longside) | 182-001  | TGISS      | 1        |
| Mounting Tab Kit                  | 182-002  | TGABL      | 1        |

Please refer to pages 149-152 additional accessories and detailed information

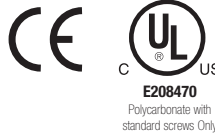
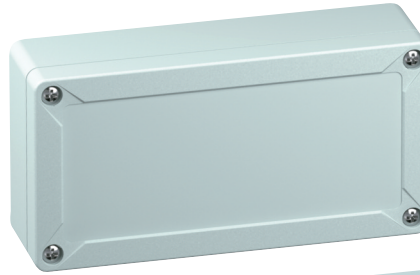




# TG1608-6 – ABS and Polycarbonate – 162 x 82 x 55 mm (6.38 x 3.23 x 2.17 in.)

## Standard Features

- **Protection Level:** IP67 (UL TYPE 4X/12\*)
- **Technical:**
  - Smooth Sidewalls
  - Gray or Transparent Cover
  - Standard or Quick Turn Screws
  - 138 x 58 x 0.4 mm Recess in Cover
  - Integrated Cover Retainer
- **UL Recognized Enclosure Materials:** ABS or Polycarbonate
- **Transparent Cover Material:** Polycarbonate
- **Gasket Material:** Polyurethane
- **Color:** Light Gray
- **Material Temperature Range:**
  - ABS: -40°C to 80°C (-40°F to 176°F)
  - Polycarbonate: -40°C to 120°C (-40°F to 248°F)
- **Accessories:** See section below



\* UL TYPE 4X (Polycarbonate, standard screws)  
UL TYPE 12 (Polycarbonate, quick turn screws)

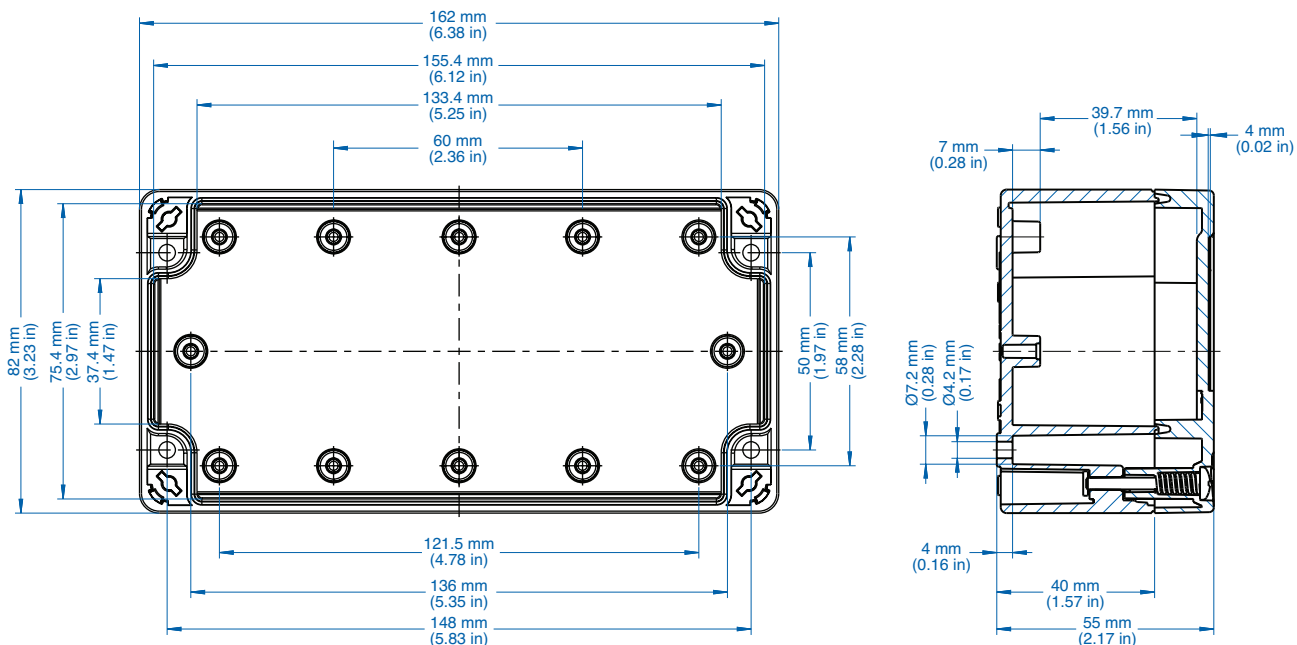
## TG

| Ordering Information | Cat. No. w/ Standard Screws | Cat. No. w/ Quick Turn Screws | Type           | Length            | Dimensions mm (in) | Width            | Height | Std. Pk. |
|----------------------|-----------------------------|-------------------------------|----------------|-------------------|--------------------|------------------|--------|----------|
| <b>ABS</b>           |                             |                               |                |                   |                    |                  |        |          |
| Gray cover           | 100-406-91                  | 100-406-01                    | TGABS1608-6-o  | 162 mm (6.38 in.) | 82 mm (3.23 in.)   | 55 mm (2.17 in.) | 1      |          |
| Transparent cover    | 101-006-91                  | 101-006-01                    | TGABS1608-6-to | 162 mm (6.38 in.) | 82 mm (3.23 in.)   | 55 mm (2.17 in.) | 1      |          |
| <b>Polycarbonate</b> |                             |                               |                |                   |                    |                  |        |          |
| Gray cover           | 200-406-91                  | 200-406-01                    | TGPC1608-6-o   | 162 mm (6.38 in.) | 82 mm (3.23 in.)   | 55 mm (2.17 in.) | 1      |          |
| Transparent cover    | 201-006-91                  | 201-006-01                    | TGPC1608-6-to  | 162 mm (6.38 in.) | 82 mm (3.23 in.)   | 55 mm (2.17 in.) | 1      |          |

## Accessories

| Ordering Information     | Cat. No. | Type       | Std. Pk. |
|--------------------------|----------|------------|----------|
| Mounting Plate (plastic) | 186-006  | TGMPI-1608 | 1        |
| Mounting Plate (steel)   | 187-006  | TGMPS-1608 | 1        |
| DIN Rail – TS35-146      | 198-146  | NS35-146   | 1        |
| DIN Rail - TS15-146      | 197-146  | TS15-146   | 1        |
| Mounting Tab Kit         | 182-002  | TGABL      | 1        |

Please refer to pages 149-152 additional accessories and detailed information



**Standard Features**

- **Protection Level:** IP67 (UL TYPE 4X/12\*)
- **Technical:** Smooth Sidewalls  
Gray or Transparent Cover  
Standard or Quick Turn Screws  
138 x 58 x 0.4 mm Recess in Cover  
Integrated Cover Retainer

- **UL Recognized Enclosure Materials:** ABS or Polycarbonate

- **Transparent Cover Material:** Polycarbonate

- **Gasket Material:** Polyurethane

- **Color:** Light Gray

- **Material**

- **Temperature Range:** ABS  
-40°C to 80°C (-40°F to 176°F)  
Polycarbonate  
-40°C to 120°C (-40°F to 248°F)

- **Accessories:** See section below



\* UL TYPE 4X (Polycarbonate, standard screws)  
UL TYPE 12 (Polycarbonate, quick turn screws)

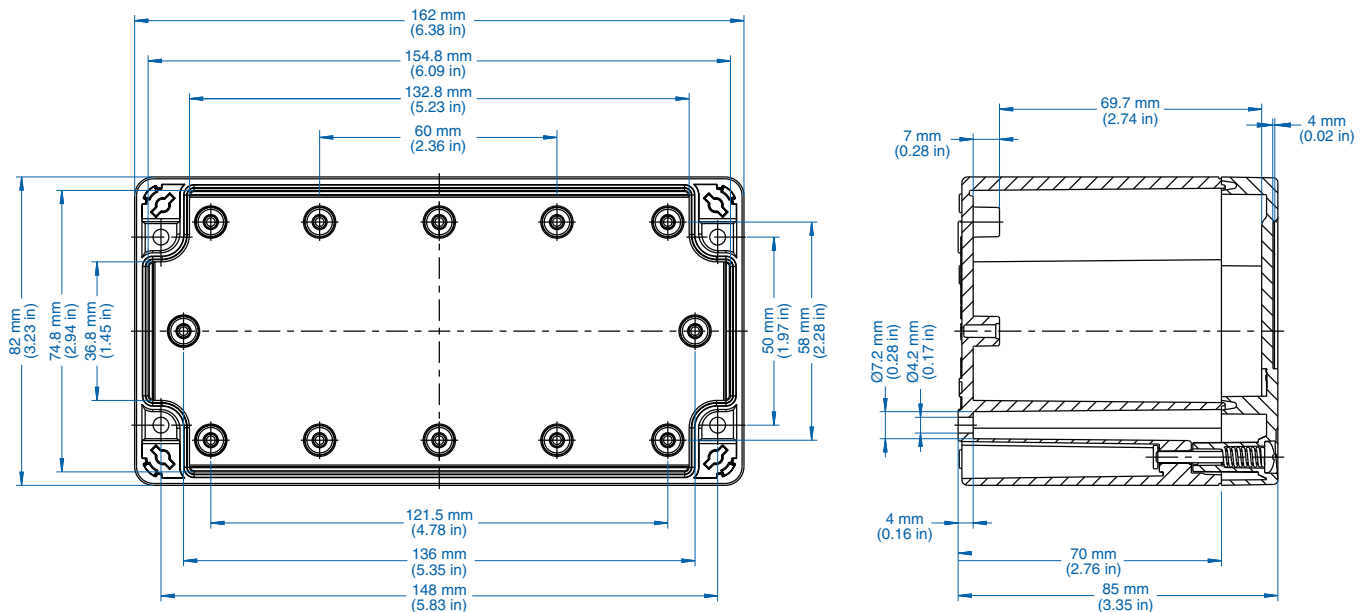
**TG**

| Ordering Information | Cat. No.<br>w/ Standard Screws | Cat. No.<br>w/ Quick Turn Screws | Type           | Length            | Dimensions mm (in) |                  |   | Std. Pk. |
|----------------------|--------------------------------|----------------------------------|----------------|-------------------|--------------------|------------------|---|----------|
|                      |                                |                                  |                |                   | Width              | Height           |   |          |
| <b>ABS</b>           |                                |                                  |                |                   |                    |                  |   |          |
| Gray cover           | 100-906-91                     | 100-906-01                       | TGABS1608-9-o  | 162 mm (6.38 in.) | 82 mm (3.23 in.)   | 85 mm (3.35 in.) | 1 |          |
| Transparent cover    | 101-506-91                     | 101-506-01                       | TGABS1608-9-to | 162 mm (6.38 in.) | 82 mm (3.23 in.)   | 85 mm (3.35 in.) | 1 |          |
| <b>Polycarbonate</b> |                                |                                  |                |                   |                    |                  |   |          |
| Gray cover           | 200-906-91                     | 200-906-01                       | TGPC1608-9-o   | 162 mm (6.38 in.) | 82 mm (3.23 in.)   | 85 mm (3.35 in.) | 1 |          |
| Transparent cover    | 201-506-91                     | 201-506-01                       | TGPC1608-9-to  | 162 mm (6.38 in.) | 82 mm (3.23 in.)   | 85 mm (3.35 in.) | 1 |          |

**Accessories**

| Ordering Information     | Cat. No. | Type       | Std. Pk. |
|--------------------------|----------|------------|----------|
| Mounting Plate (plastic) | 186-006  | TGMPI-1608 | 1        |
| Mounting Plate (steel)   | 187-006  | TGMPs-1608 | 1        |
| DIN Rail – TS35-146      | 198-146  | NS35-146   | 1        |
| DIN Rail - TS15-146      | 197-146  | TS15-146   | 1        |
| Mounting Tab Kit         | 182-002  | TGABL      | 1        |

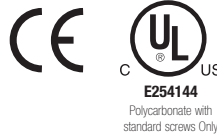
Please refer to pages 149-152 additional accessories and detailed information



# TG1612-9 – ABS and Polycarbonate – 162 x 122 x 90 mm (6.38 x 4.80 x 3.54 in.)

## Standard Features

- **Protection Level:** IP67 (UL TYPE 4X/12\*)
- **Technical:**
  - Smooth Sidewalls
  - Gray or Transparent Cover
  - Standard or Quick Turn Screws
  - 135 x 95 x 0.4 mm Recess in Cover
  - Integrated Cover Retainer
- **UL Recognized Enclosure Materials:** ABS or Polycarbonate
- **Transparent Cover Material:** Polycarbonate
- **Gasket Material:** Polyurethane
- **Color:** Light Gray
- **Material**
  - Temperature Range:**
    - ABS: -40°C to 80°C (-40°F to 176°F)
    - Polycarbonate: -40°C to 120°C (-40°F to 248°F)
- **Accessories:** See section below



\* UL TYPE 4X (Polycarbonate, standard screws)  
UL TYPE 12 (Polycarbonate, quick turn screws)

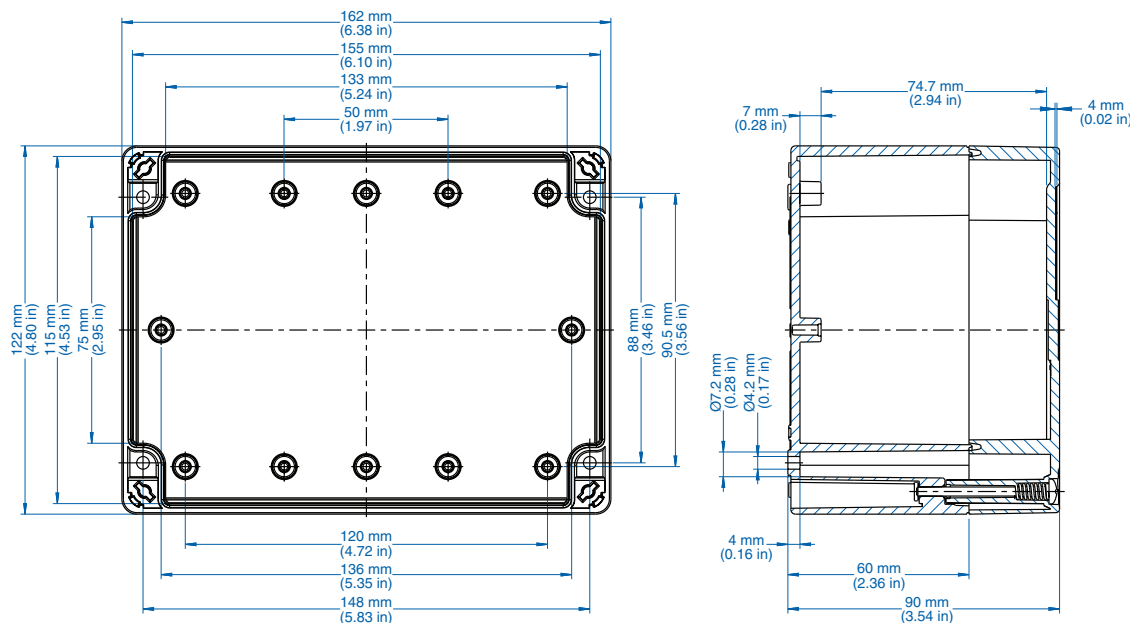
## TG

| Ordering Information | Cat. No.           |                      | Type           | Length            | Dimensions mm (in) |                  |   | Std. Pk. |
|----------------------|--------------------|----------------------|----------------|-------------------|--------------------|------------------|---|----------|
|                      | w/ Standard Screws | w/ Quick Turn Screws |                |                   | Width              | Height           |   |          |
| <b>ABS</b>           |                    |                      |                |                   |                    |                  |   |          |
| Gray cover           | 100-407-91         | 100-407-01           | TGABS1612-6-o  | 162 mm (6.38 in.) | 122 mm (4.80 in.)  | 90 mm (3.54 in.) | 1 |          |
| Transparent cover    | 101-007-91         | 101-007-01           | TGABS1612-6-to | 162 mm (6.38 in.) | 122 mm (4.80 in.)  | 90 mm (3.54 in.) | 1 |          |
| <b>Polycarbonate</b> |                    |                      |                |                   |                    |                  |   |          |
| Gray cover           | 200-407-91         | 200-407-01           | TGPC1612-6-o   | 162 mm (6.38 in.) | 122 mm (4.80 in.)  | 90 mm (3.54 in.) | 1 |          |
| Transparent cover    | 201-007-91         | 201-007-01           | TGPC1612-6-to  | 162 mm (6.38 in.) | 122 mm (4.80 in.)  | 90 mm (3.54 in.) | 1 |          |

## Accessories

| Ordering Information              | Cat. No. | Type       | Std. Pk. |
|-----------------------------------|----------|------------|----------|
| Mounting Plate (plastic)          | 186-007  | TGMPI-1612 | 1        |
| Mounting Plate (steel)            | 187-007  | TGMPS-1612 | 1        |
| DIN Rail – TS35-146               | 198-146  | NS35-146   | 1        |
| DIN Rail - TS15-146               | 197-146  | TS15-146   | 1        |
| Internal Hinge Kit Set (longside) | 182-001  | TGISS      | 1        |
| Mounting Tab Kit                  | 182-002  | TGABL      | 1        |

Please refer to pages 149-152 additional accessories and detailed information



**Standard Features**

- **Protection Level:** IP67 (UL TYPE 4X/12\*)
- **Technical:**
  - Smooth Sidewalls
  - Gray or Transparent Cover
  - Standard or Quick Turn Screws
  - 175 x 95 x 0.4 mm Recess in Cover
  - Integrated Cover Retainer

- **UL Recognized Enclosure Materials:** ABS or Polycarbonate

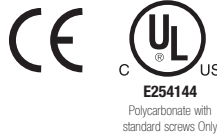
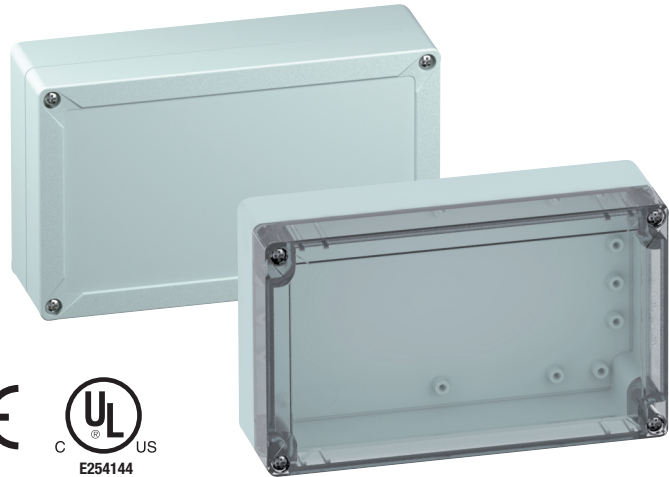
- **Transparent Cover Material:** Polycarbonate

- **Gasket Material:** Polyurethane

- **Color:** Light Gray

- **Material Temperature Range:**
  - ABS: -40°C to 80°C (-40°F to 176°F)
  - Polycarbonate: -40°C to 120°C (-40°F to 248°F)

- **Accessories:** See section below



\* UL TYPE 4X (Polycarbonate, standard screws)  
UL TYPE 12 (Polycarbonate, quick turn screws)

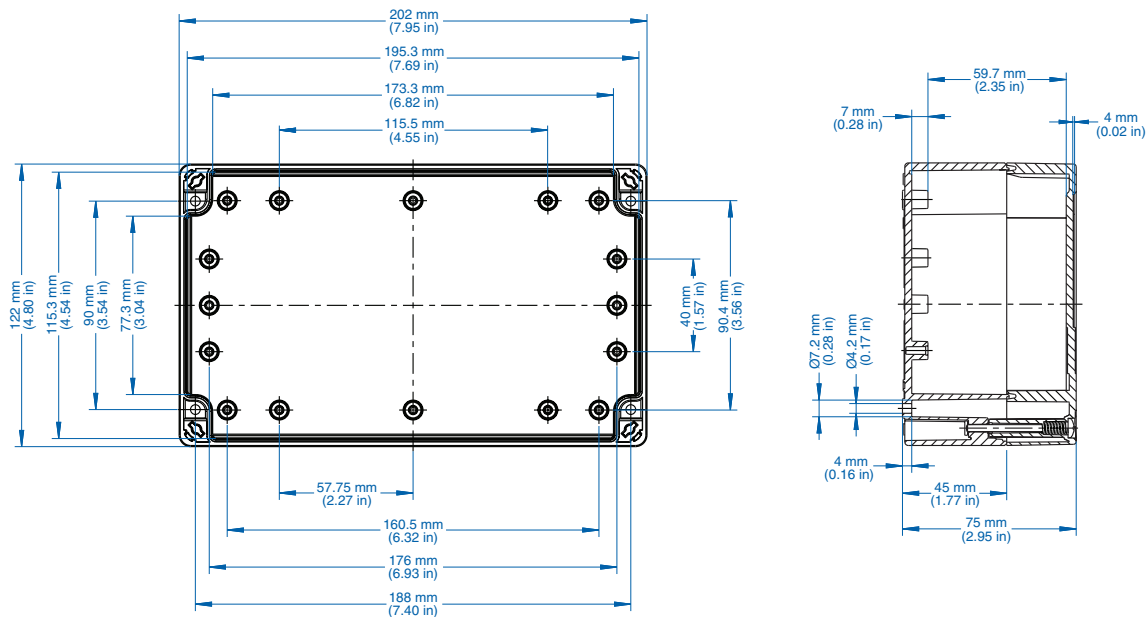
**TG**

| Ordering Information | Cat. No.           |                      | Type           | Length            | Dimensions mm (in) |                  |   | Std. Pk. |
|----------------------|--------------------|----------------------|----------------|-------------------|--------------------|------------------|---|----------|
|                      | w/ Standard Screws | w/ Quick Turn Screws |                |                   | Width              | Height           |   |          |
| <b>ABS</b>           |                    |                      |                |                   |                    |                  |   |          |
| Gray cover           | 100-408-91         | 100-408-01           | TGABS2012-8-o  | 202 mm (7.95 in.) | 122 mm (4.80 in.)  | 75 mm (2.95 in.) | 1 |          |
| Transparent cover    | 101-008-91         | 101-008-01           | TGABS2012-8-to | 202 mm (7.95 in.) | 122 mm (4.80 in.)  | 75 mm (2.95 in.) | 1 |          |
| <b>Polycarbonate</b> |                    |                      |                |                   |                    |                  |   |          |
| Gray cover           | 200-408-91         | 200-408-01           | TGPC2012-8-o   | 202 mm (7.95 in.) | 122 mm (4.80 in.)  | 75 mm (2.95 in.) | 1 |          |
| Transparent cover    | 201-008-91         | 201-008-01           | TGPC2012-8-to  | 202 mm (7.95 in.) | 122 mm (4.80 in.)  | 75 mm (2.95 in.) | 1 |          |

**Accessories**

| Ordering Information              | Cat. No. | Type       | Std. Pk. |
|-----------------------------------|----------|------------|----------|
| Mounting Plate (plastic)          | 186-008  | TGMPI-2012 | 1        |
| Mounting Plate (steel)            | 187-008  | TGMPS-2012 | 1        |
| DIN Rail – TS35-186               | 198-186  | NS35-186   | 1        |
| DIN Rail - TS15-186               | 197-186  | TS15-186   | 1        |
| Internal Hinge Kit Set (longside) | 182-001  | TGISS      | 1        |
| Mounting Tab Kit                  | 182-002  | TGABL      | 1        |

Please refer to pages 149-152 additional accessories and detailed information

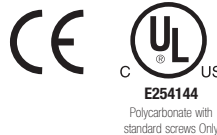
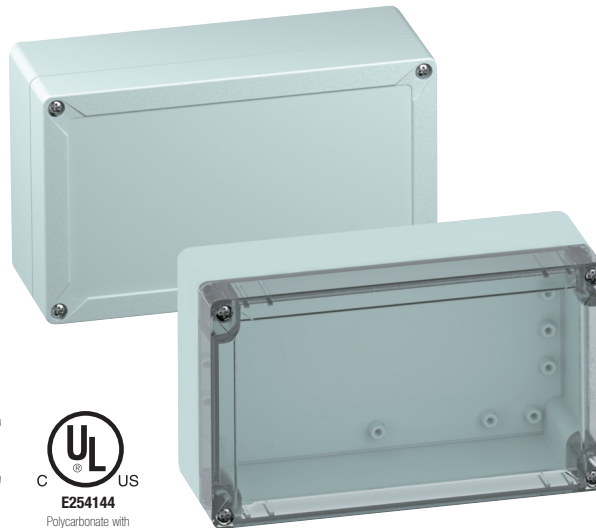




# TG2012-9 – ABS and Polycarbonate – 202 x 122 x 90 mm (7.95 x 4.80 x 3.54 in.)

## Standard Features

- **Protection Level:** IP67 (UL TYPE 4X/12\*)
- **Technical:**
  - Smooth Sidewalls
  - Gray or Transparent Cover
  - Standard or Quick Turn Screws
  - 175 x 95 x 0.4 mm Recess in Cover
  - Integrated Cover Retainer
- **UL Recognized Enclosure Materials:** ABS or Polycarbonate
- **Transparent Cover Material:** Polycarbonate
- **Gasket Material:** Polyurethane
- **Color:** Light Gray
- **Material Temperature Range:**
  - ABS: -40°C to 80°C (-40°F to 176°F)
  - Polycarbonate: -40°C to 120°C (-40°F to 248°F)
- **Accessories:** See section below



\* UL TYPE 4X (Polycarbonate, standard screws)  
UL TYPE 12 (Polycarbonate, quick turn screws)

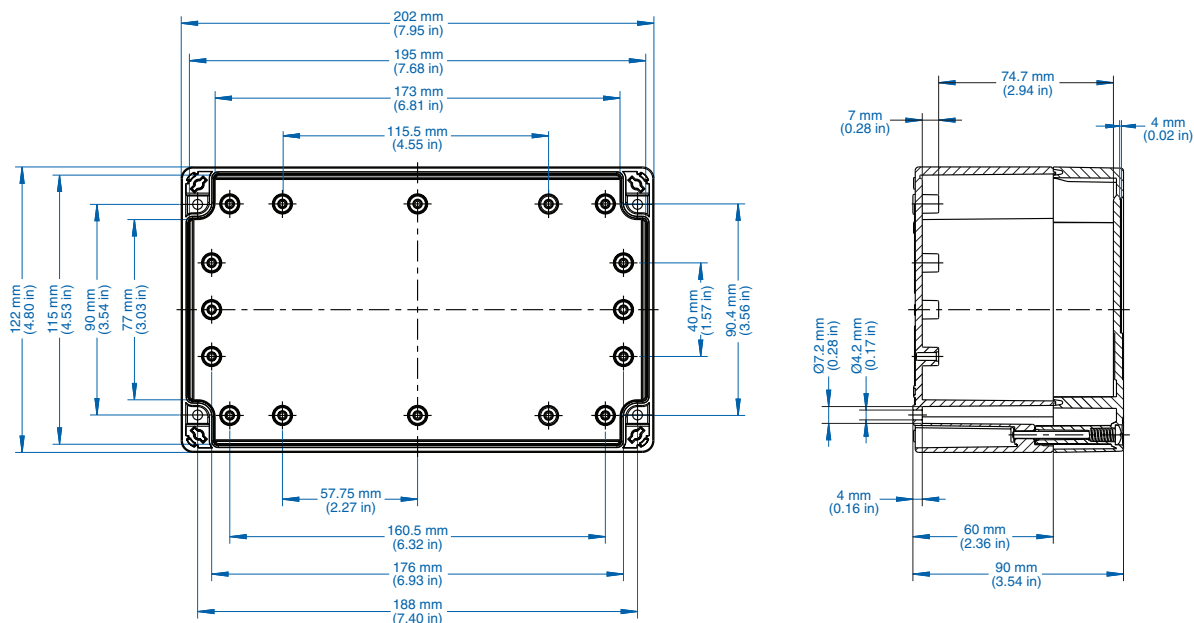
## TG

| Ordering Information | Cat. No. w/ Standard Screws | Cat. No. w/ Quick Turn Screws | Type           | Length            | Dimensions mm (in) | Width            | Height | Std. Pk. |
|----------------------|-----------------------------|-------------------------------|----------------|-------------------|--------------------|------------------|--------|----------|
| <b>ABS</b>           |                             |                               |                |                   |                    |                  |        |          |
| Gray cover           | 100-908-91                  | 100-908-01                    | TGABS2012-9-o  | 202 mm (7.95 in.) | 122 mm (4.80 in.)  | 90 mm (3.54 in.) | 1      |          |
| Transparent cover    | 101-508-91                  | 101-508-01                    | TGABS2012-9-to | 202 mm (7.95 in.) | 122 mm (4.80 in.)  | 90 mm (3.54 in.) | 1      |          |
| <b>Polycarbonate</b> |                             |                               |                |                   |                    |                  |        |          |
| Gray cover           | 200-908-91                  | 200-908-01                    | TGPC2012-9-o   | 202 mm (7.95 in.) | 122 mm (4.80 in.)  | 90 mm (3.54 in.) | 1      |          |
| Transparent cover    | 201-508-91                  | 201-508-01                    | TGPC2012-9-to  | 202 mm (7.95 in.) | 122 mm (4.80 in.)  | 90 mm (3.54 in.) | 1      |          |

## Accessories

| Ordering Information              | Cat. No. | Type       | Std. Pk. |
|-----------------------------------|----------|------------|----------|
| Mounting Plate (plastic)          | 186-008  | TGMPI-2012 | 1        |
| Mounting Plate (steel)            | 187-008  | TGMPS-2012 | 1        |
| DIN Rail – TS35-186               | 198-186  | NS35-186   | 1        |
| DIN Rail - TS15-186               | 197-186  | TS15-186   | 1        |
| Internal Hinge Kit Set (longside) | 182-001  | TGISS      | 1        |
| Mounting Tab Kit                  | 182-002  | TGABL      | 1        |

Please refer to pages 149-152 additional accessories and detailed information



**Standard Features**

- **Protection Level:** IP67 (UL TYPE 4X/12\*)
- **Technical:**
  - Smooth Sidewalls
  - Gray or Transparent Cover
  - Standard or Quick Turn Screws
  - 175 x 125 x 0.4 mm Recess in Cover
  - Integrated Cover Retainer

- **UL Recognized Enclosure Materials:** ABS or Polycarbonate

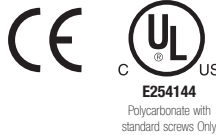
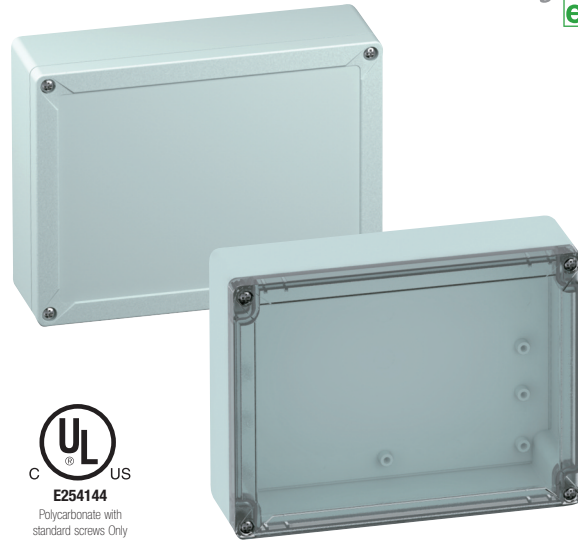
- **Transparent Cover Material:** Polycarbonate

- **Gasket Material:** Polyurethane

- **Color:** Light Gray

- **Material Temperature Range:**
  - ABS: -40°C to 80°C (-40°F to 176°F)
  - Polycarbonate: -40°C to 120°C (-40°F to 248°F)

- **Accessories:** See section below



\* UL TYPE 4X (Polycarbonate, standard screws)  
UL TYPE 12 (Polycarbonate, quick turn screws)

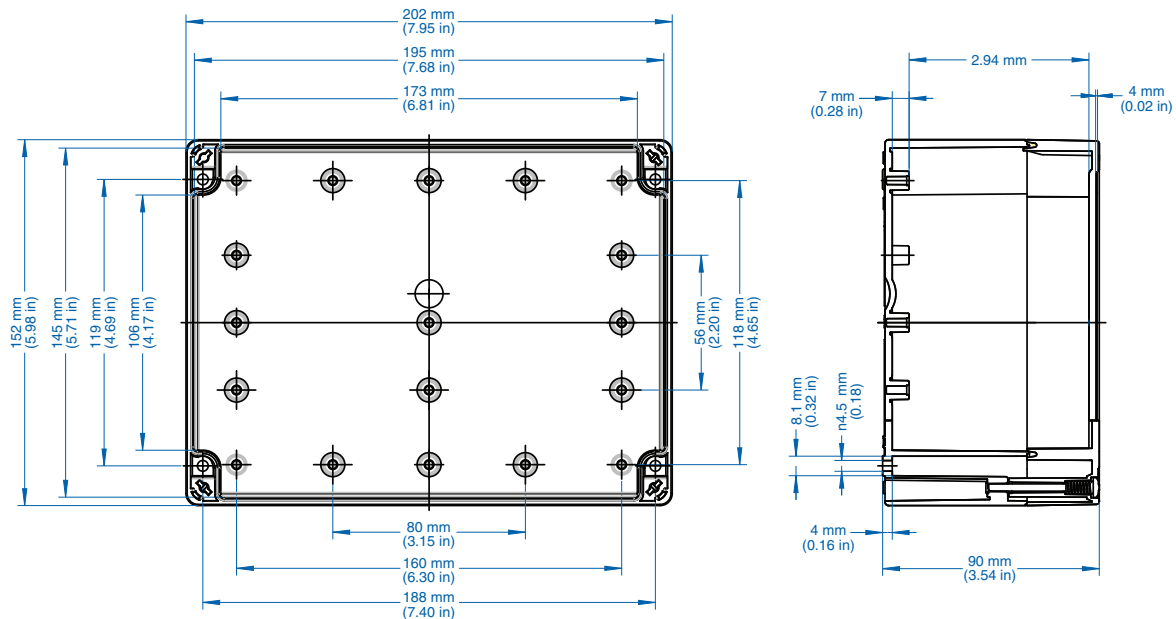
**TG**

| Ordering Information | Cat. No. w/ Standard Screws | Cat. No. w/ Quick Turn Screws | Type           | Length            | Dimensions mm (in) |                  | Std. Pk. |
|----------------------|-----------------------------|-------------------------------|----------------|-------------------|--------------------|------------------|----------|
|                      |                             |                               |                |                   | Width              | Height           |          |
| <b>ABS</b>           |                             |                               |                |                   |                    |                  |          |
| Gray cover           | 100-409-91                  | 100-409-01                    | TGABS2015-9-o  | 202 mm (7.95 in.) | 152 mm (5.98 in.)  | 90 mm (3.54 in.) | 1        |
| Transparent cover    | 101-009-91                  | 101-009-01                    | TGABS2015-9-to | 202 mm (7.95 in.) | 152 mm (5.98 in.)  | 90 mm (3.54 in.) | 1        |
| <b>Polycarbonate</b> |                             |                               |                |                   |                    |                  |          |
| Gray cover           | 200-409-91                  | 200-409-01                    | TGPC2015-9-o   | 202 mm (7.95 in.) | 152 mm (5.98 in.)  | 90 mm (3.54 in.) | 1        |
| Transparent cover    | 201-009-91                  | 201-009-01                    | TGPC2015-9-to  | 202 mm (7.95 in.) | 152 mm (5.98 in.)  | 90 mm (3.54 in.) | 1        |

**Accessories**

| Ordering Information     | Cat. No. | Type       | Std. Pk. |
|--------------------------|----------|------------|----------|
| Mounting Plate (plastic) | 186-009  | TGMPI-2015 | 1        |
| Mounting Plate (steel)   | 187-009  | TGMPS-2015 | 1        |
| DIN Rail – TS35-170      | 198-170  | NS35-170   | 1        |
| DIN Rail - TS15-170      | 197-170  | TS15-170   | 1        |
| Internal Hinge Kit Set   | 182-001  | TGISS      | 1        |
| Mounting Tab Kit         | 182-002  | TGABL      | 1        |

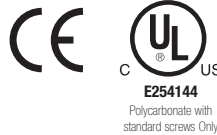
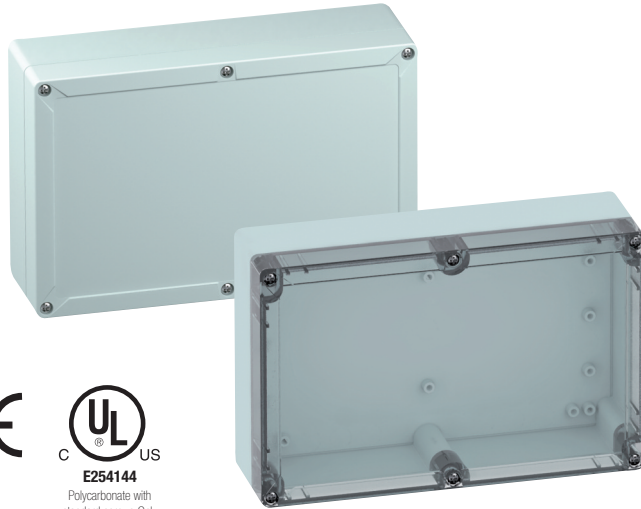
Please refer to pages 149-152 additional accessories and detailed information



# TG2516-9 – ABS and Polycarbonate – 252 x 162 x 90 mm (9.92 x 6.38 x 3.54 in.)

## Standard Features

- **Protection Level:** IP67 (UL TYPE 4X/12\*)
- **Technical:**
  - Smooth Sidewalls
  - Gray or Transparent Cover
  - Standard or Quick Turn Screws
  - 225 x 135 x 0.4 mm Recess in Cover
  - Integrated Cover Retainer
- **UL Recognized Enclosure Materials:** ABS or Polycarbonate
- **Transparent Cover Material:** Polycarbonate
- **Gasket Material:** Polyurethane
- **Color:** Light Gray
- **Material Temperature Range:**
  - ABS: -40°C to 80°C (-40°F to 176°F)
  - Polycarbonate: -40°C to 120°C (-40°F to 248°F)
- **Accessories:** See section below



\* UL TYPE 4X (Polycarbonate, standard screws)  
UL TYPE 12 (Polycarbonate, quick turn screws)

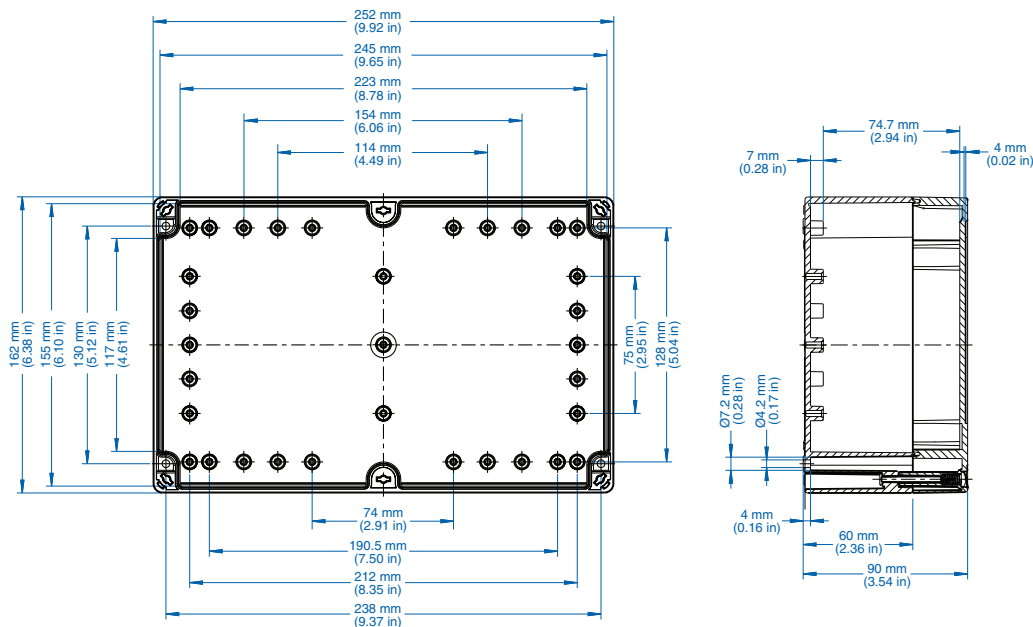
## TG

| Ordering Information | Cat. No. w/ Standard Screws | Cat. No. w/ Quick Turn Screws | Type           | Length            | Dimensions mm (in) | Width            | Height | Std. Pk. |
|----------------------|-----------------------------|-------------------------------|----------------|-------------------|--------------------|------------------|--------|----------|
| <b>ABS</b>           |                             |                               |                |                   |                    |                  |        |          |
| Gray cover           | 100-412-91                  | 100-412-01                    | TGABS2516-9-o  | 252 mm (9.92 in.) | 162 mm (6.38 in.)  | 90 mm (3.54 in.) | 1      |          |
| Transparent cover    | 101-012-91                  | 101-012-01                    | TGABS2516-9-to | 252 mm (9.92 in.) | 162 mm (6.38 in.)  | 90 mm (3.54 in.) | 1      |          |
| <b>Polycarbonate</b> |                             |                               |                |                   |                    |                  |        |          |
| Gray cover           | 200-412-91                  | 200-412-01                    | TGPC2516-9-o   | 252 mm (9.92 in.) | 162 mm (6.38 in.)  | 90 mm (3.54 in.) | 1      |          |
| Transparent cover    | 201-012-91                  | 201-012-01                    | TGPC2516-9-to  | 252 mm (9.92 in.) | 162 mm (6.38 in.)  | 90 mm (3.54 in.) | 1      |          |

## Accessories

| Ordering Information     | Cat. No. | Type       | Std. Pk. |
|--------------------------|----------|------------|----------|
| Mounting Plate (plastic) | 186-012  | TGMPI-2516 | 1        |
| Mounting Plate (steel)   | 187-012  | TGMPS-2516 | 1        |
| DIN Rail – TS35-222      | 198-222  | NS35-222   | 1        |
| DIN Rail - TS15-222      | 197-222  | TS15-222   | 1        |
| Internal Hinge Kit Set   | 182-001  | TGISS      | 1        |
| Mounting Tab Kit         | 182-002  | TGABL      | 1        |

Please refer to pages 149-152 additional accessories and detailed information



**Standard Features**

- **Protection Level:** IP67 (UL TYPE 4X/12\*)
- **Technical:** Smooth Sidewalls  
Gray or Transparent Cover  
Standard or Quick Turn Screws  
225 x 135 x 0.4 mm Recess in Cover  
Integrated Cover Retainer

- **UL Recognized Enclosure Materials:** ABS or Polycarbonate

- **Transparent Cover Material:** Polycarbonate

- **Gasket Material:** Polyurethane

- **Color:** Light Gray

- **Material**

- **Temperature Range:** ABS  
-40°C to 80°C (-40°F to 176°F)  
Polycarbonate  
-40°C to 120°C (-40°F to 248°F)

- **Accessories:** See section below



\* UL TYPE 4X (Polycarbonate, standard screws)  
UL TYPE 12 (Polycarbonate, quick turn screws)

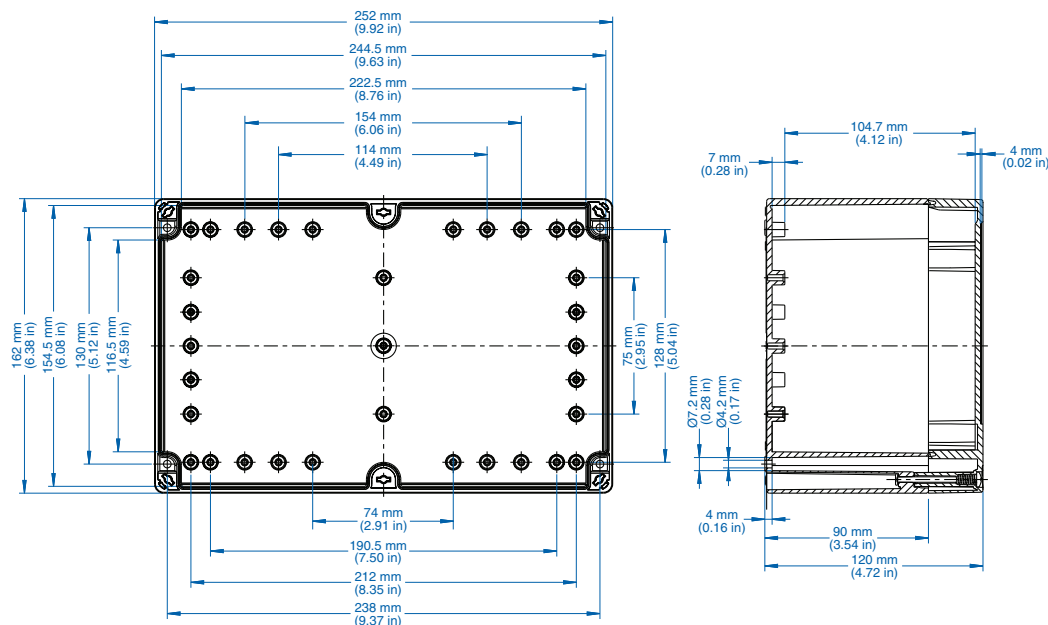
**TG**

| Ordering Information | Cat. No.<br>w/ Standard Screws | Cat. No.<br>w/ Quick Turn Screws | Type            | Length            | Dimensions mm (in) |                   |   | Std. Pk. |
|----------------------|--------------------------------|----------------------------------|-----------------|-------------------|--------------------|-------------------|---|----------|
|                      |                                |                                  |                 |                   | Width              | Height            |   |          |
| <b>ABS</b>           |                                |                                  |                 |                   |                    |                   |   |          |
| Gray cover           | 100-912-91                     | 100-912-01                       | TGABS2516-12-o  | 252 mm (9.92 in.) | 162 mm (6.38 in.)  | 120 mm (4.72 in.) | 1 |          |
| Transparent cover    | 101-512-91                     | 101-512-01                       | TGABS2516-12-to | 252 mm (9.92 in.) | 162 mm (6.38 in.)  | 120 mm (4.72 in.) | 1 |          |
| <b>Polycarbonate</b> |                                |                                  |                 |                   |                    |                   |   |          |
| Gray cover           | 200-912-91                     | 200-912-01                       | TGPC2516-12-o   | 252 mm (9.92 in.) | 162 mm (6.38 in.)  | 120 mm (4.72 in.) | 1 |          |
| Transparent cover    | 201-512-91                     | 201-512-01                       | TGPC2516-12-to  | 252 mm (9.92 in.) | 162 mm (6.38 in.)  | 120 mm (4.72 in.) | 1 |          |

**Accessories**

| Ordering Information     | Cat. No. | Type       | Std. Pk. |
|--------------------------|----------|------------|----------|
| Mounting Plate (plastic) | 186-012  | TGMPI-2516 | 1        |
| Mounting Plate (steel)   | 187-012  | TGMPS-2516 | 1        |
| DIN Rail – TS35-222      | 198-222  | NS35-222   | 1        |
| DIN Rail - TS15-222      | 197-222  | TS15-222   | 1        |
| Internal Hinge Kit Set   | 182-001  | TGISS      | 1        |
| Mounting Tab Kit         | 182-002  | TGABL      | 1        |

Please refer to pages 149-152 additional accessories and detailed information

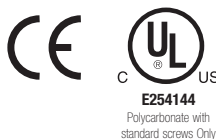




# TG3023-9 – ABS and Polycarbonate – 302 x 232 x 90 mm (11.89 x 9.13 x 3.54 in.)

## Standard Features

- **Protection Level:** IP67 (UL TYPE 4X/12\*)
- **Technical:** Smooth Sidewalls  
Gray or Transparent Cover  
Standard or Quick Turn Screws  
275 x 205 x 0.4 mm Recess in Cover  
Integrated Cover Retainer
- **UL Recognized Enclosure Materials:** ABS or Polycarbonate
- **Transparent Cover Material:** Polycarbonate
- **Gasket Material:** Polyurethane
- **Color:** Light Gray
- **Material Temperature Range:** ABS  
-40°C to 80°C (-40°F to 176°F)  
Polycarbonate  
-40°C to 120°C (-40°F to 248°F)
- **Accessories:** See section below



\* UL TYPE 4X (Polycarbonate, standard screws)  
UL TYPE 12 (Polycarbonate, quick turn screws)

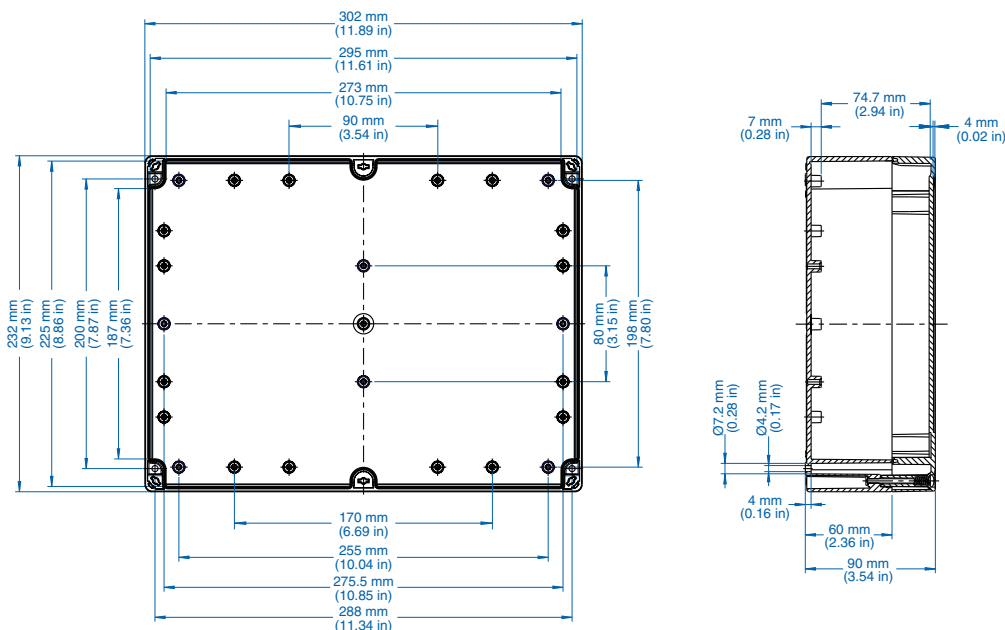
## TG

| Ordering Information | Cat. No.<br>w/ Standard Screws | Cat. No.<br>w/ Quick Turn Screws | Type           | Length             | Dimensions mm (in)<br>Width | Height           | Std. Pk. |
|----------------------|--------------------------------|----------------------------------|----------------|--------------------|-----------------------------|------------------|----------|
| <b>ABS</b>           |                                |                                  |                |                    |                             |                  |          |
| Gray cover           | 100-413-91                     | 100-413-01                       | TGABS3023-9-o  | 302 mm (11.89 in.) | 232 mm (9.13 in.)           | 90 mm (3.54 in.) | 1        |
| Transparent cover    | 101-013-91                     | 101-013-01                       | TGABS3023-9-to | 302 mm (11.89 in.) | 232 mm (9.13 in.)           | 90 mm (3.54 in.) | 1        |
| <b>Polycarbonate</b> |                                |                                  |                |                    |                             |                  |          |
| Gray cover           | 200-413-91                     | 200-413-01                       | TGPC3023-9-o   | 302 mm (11.89 in.) | 232 mm (9.13 in.)           | 90 mm (3.54 in.) | 1        |
| Transparent cover    | 201-013-91                     | 201-013-01                       | TGPC3023-9-to  | 302 mm (11.89 in.) | 232 mm (9.13 in.)           | 90 mm (3.54 in.) | 1        |

## Accessories

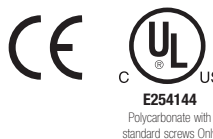
| Ordering Information     | Cat. No. | Type       | Std. Pk. |
|--------------------------|----------|------------|----------|
| Mounting Plate (plastic) | 186-013  | TGMPI-3023 | 1        |
| Mounting Plate (steel)   | 187-013  | TGMPS-3023 | 1        |
| DIN Rail – TS35-285      | 198-285  | NS35-285   | 1        |
| DIN Rail - TS15-285      | 197-285  | TS15-285   | 1        |
| Internal Hinge Kit Set   | 182-001  | TGISS      | 1        |
| Mounting Tab Kit         | 182-002  | TGABL      | 1        |

Please refer to pages 149-152 additional accessories and detailed information



**Standard Features**

- **Protection Level:** IP67 (UL TYPE 4X/12\*)
- **Technical:**
  - Smooth Sidewalls
  - Gray or Transparent Cover
  - Standard or Quick Turn Screws
  - 275 x 205 x 0.4 mm Recess in Cover
  - Integrated Cover Retainer
- **UL Recognized Enclosure Materials:** ABS or Polycarbonate
- **Transparent Cover Material:** Polycarbonate
- **Gasket Material:** Polyurethane
- **Color:** Light Gray
- **Material Temperature Range:**
  - ABS: -40°C to 80°C (-40°F to 176°F)
  - Polycarbonate: -40°C to 120°C (-40°F to 248°F)
- **Accessories:** See section below



\* UL TYPE 4X (Polycarbonate, standard screws)  
UL TYPE 12 (Polycarbonate, quick turn screws)

**TG**

| Ordering Information | Cat. No. w/ Standard Screws | Cat. No. w/ Quick Turn Screws | Type            | Length             | Dimensions mm (in)<br>Width | Height            | Std. Pk. |
|----------------------|-----------------------------|-------------------------------|-----------------|--------------------|-----------------------------|-------------------|----------|
| <b>ABS</b>           |                             |                               |                 |                    |                             |                   |          |
| Gray cover           | 100-913-91                  | 100-913-01                    | TGABS3023-11-o  | 302 mm (11.89 in.) | 232 mm (9.13 in.)           | 110 mm (4.33 in.) | 1        |
| Transparent cover    | 101-513-91                  | 101-513-01                    | TGABS3023-11-to | 302 mm (11.89 in.) | 232 mm (9.13 in.)           | 110 mm (4.33 in.) | 1        |
| <b>Polycarbonate</b> |                             |                               |                 |                    |                             |                   |          |
| Gray cover           | 200-913-91                  | 200-913-01                    | TGPC3023-11-o   | 302 mm (11.89 in.) | 232 mm (9.13 in.)           | 110 mm (4.33 in.) | 1        |
| Transparent cover    | 201-513-91                  | 201-513-01                    | TGPC3023-11-to  | 302 mm (11.89 in.) | 232 mm (9.13 in.)           | 110 mm (4.33 in.) | 1        |

**Accessories**

| Ordering Information     | Cat. No. | Type       | Std. Pk. |
|--------------------------|----------|------------|----------|
| Mounting Plate (plastic) | 186-013  | TGMPI-3023 | 1        |
| Mounting Plate (steel)   | 187-013  | TGMPS-3023 | 1        |
| DIN Rail – TS35-285      | 198-285  | NS35-285   | 1        |
| DIN Rail - TS15-285      | 197-285  | TS15-285   | 1        |
| Internal Hinge Kit Set   | 182-001  | TGISS      | 1        |
| Mounting Tab Kit         | 182-002  | TGABL      | 1        |

Please refer to pages 149-152 additional accessories and detailed information

