



Standard Features

- **Protection Level:** IP66 (NEMA Type: 4X and 12/12K)
- **Technical:** Smooth or Knockout Sidewalls
Gray or Tinted Transparent Cover
Multiple Enclosure Mounting Options
- **UL Recognized**
 - **Enclosure Materials:** Polystyrene or Polycarbonate
 - **Gasket Material:** Polyurethane
 - **Color:** Light Gray
 - **Material**
 - **Temperature Range:** Polystyrene
-40°C to 70°C (-40°F to 158°F)
Polycarbonate
-40°C to 120°C (-40°F to 248°F)
- **Accessories:** See section below



Smooth Sidewalls

Polystyrene

Polycarbonate

Ordering Information	Height mm (in)	Cat. No.	Type	Cover Color	Std. Pk.	Cat. No.	Type	Cover Color	Std. Pk.
☐ Enclosure - low cover	63 mm (2.48 in)	110-415	PS 1813-6f-o	gray	2	120-415	PC 1813-6f-o	gray	2
☐ Enclosure - high cover	84 mm (3.31 in)	110-915	PS 1813-8f-o	gray	2	120-915	PC 1813-8f-o	gray	2
☐ Enclosure - top hat cover	137 mm (5.39 in)	109-415	PS 1813-13f-o	gray	1	121-415	PC 1813-13f-o	gray	1
☐ Enclosure - low cover	63 mm (2.48 in)	111-015	PS 1813-6f-to	trans.	2	130-015	PC 1813-6f-to	trans.	2
☐ Enclosure - high cover	84 mm (3.31 in)	111-515	PS 1813-8f-to	trans.	2	130-515	PC 1813-8f-to	trans.	2
☐ Enclosure - top hat cover	137 mm (5.39 in)	112-015	PS 1813-13f-to	trans.	1	131-015	PC 1813-13f-to	trans.	1

Sidewalls with Metric Knockouts

Polystyrene

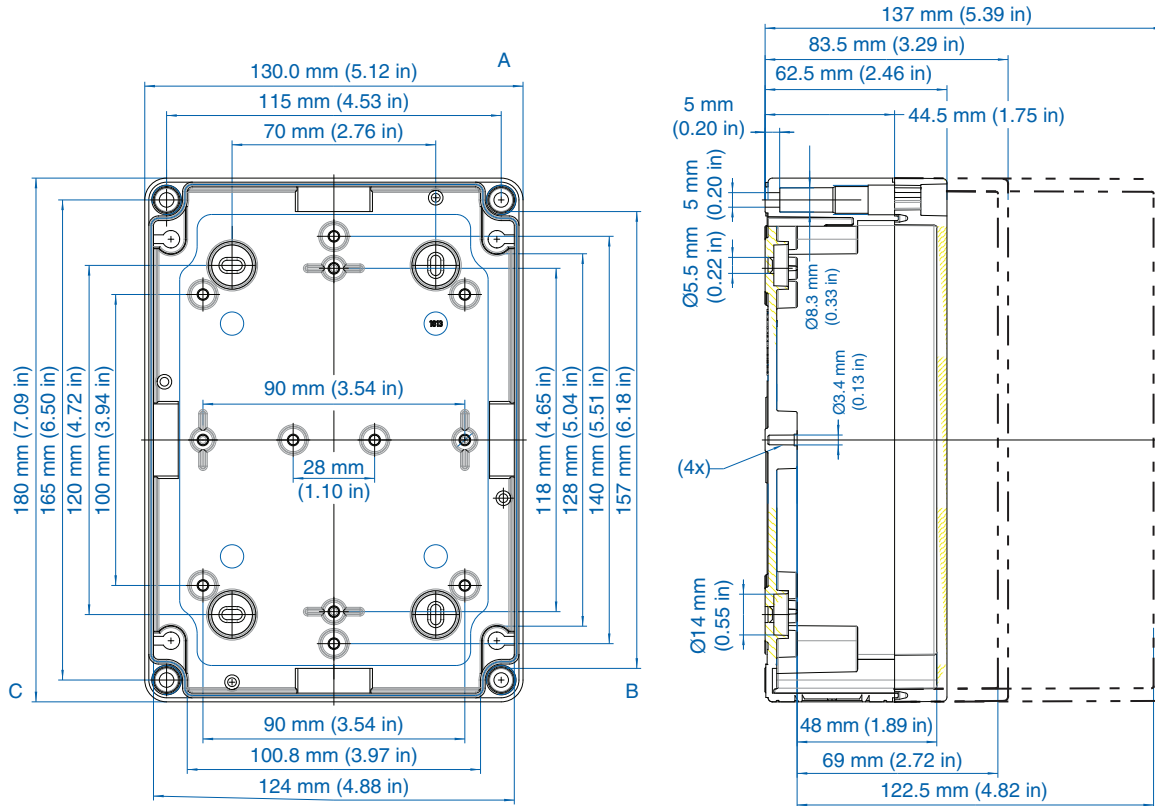
Polycarbonate

Ordering Information	Height mm (in)	Cat. No.	Type	Cover Color	Std. Pk.	Cat. No.	Type	Cover Color	Std. Pk.
☐ Enclosure - low cover	63 mm (2.48 in)	105-415	PS 1813-6f-m	gray	2	127-415	PC 1813-6f-m	gray	2
☐ Enclosure - high cover	84 mm (3.31 in)	105-915	PS 1813-8f-m	gray	2	127-915	PC 1813-8f-m	gray	2
☐ Enclosure - top hat cover	137 mm (5.39 in)	104-415	PS 1813-13f-m	gray	1	128-415	PC 1813-13f-m	gray	1
☐ Enclosure - low cover	63 mm (2.48 in)	106-015	PS 1813-6f-tm	trans.	2	137-015	PC 1813-6f-tm	trans.	2
☐ Enclosure - high cover	84 mm (3.31 in)	106-515	PS 1813-8f-tm	trans.	2	137-515	PC 1813-8f-tm	trans.	2
☐ Enclosure - top hat cover	137 mm (5.39 in)	107-015	PS 1813-13f-tm	trans.	1	138-015	PC 1813-13f-tm	trans.	1

Accessories

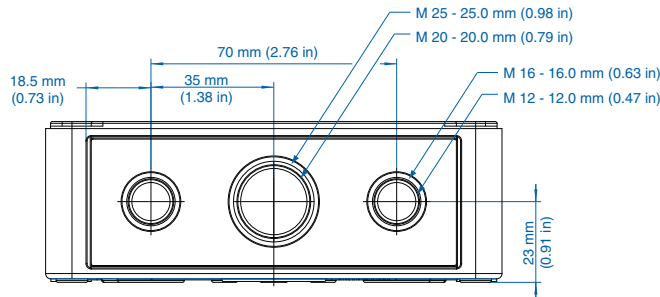
Ordering Information	Cat. No.	Type	Std. Pk.
Mounting Plate (plastic)	195-011	TKMPI-1813	1
Mounting Plate (steel)	197-011	TKMPS-1813	1
DIN Rail TS35-144mm	198-144	TS 35/144	1
Hinge Kit Set	190-005	HK2	1
Mounting Tab Kit	194-001	MT1	1

Please refer to pages 149-152 for additional accessories and detailed information.

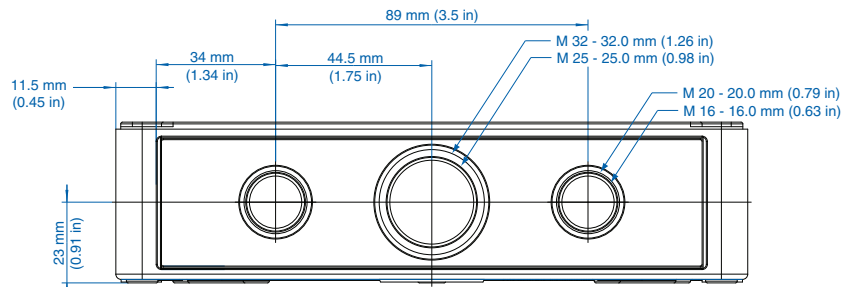


Knockout Positions

Side A (2x)



Side B



Side C

