

Standard Features

- **Protection Level:** IP65
- **Technical:** Fits 56 Circuit Breaker Poles (14 per section)
Knockout Sidewalls and installed double membrane seals
Tinted Transparent Door
Multiple Enclosure Combination Option
- **UL Recognized**
- **Enclosure Material:** Polycarbonate
- **Door Material:** Polycarbonate
- **Gasket Material:** Polyurethane
- **Material**
- **Temperature Range:** Polystyrene
-40°C to 70°C (-40°F to 158°F)
Polycarbonate
-40°C to 120°C (-40°F to 248°F)
- **Color:** Light Gray
- **Included Accessories:** (5) DIN Rails, Cable Shield, Filler Strips, (4) Label Strips, (15) M20 Double Membrane Seals, (2) M25 Double Membrane Seals, (1) M32 Double Membrane Seals, (1) M40 Entry Spout
See section below
- **Accessories:** See section below



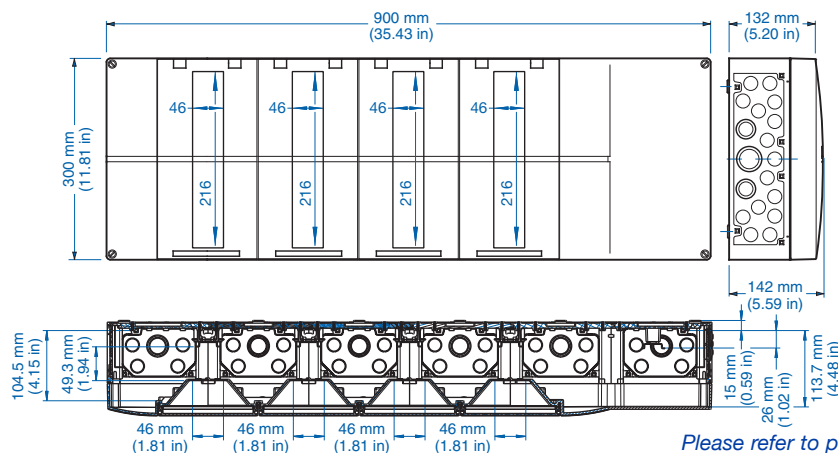
AK 56+1

| Ordering Information | Cat. No. | Type | Length | Dimensions mm (in) Width | Height | Std. Pk. |
|----------------------|----------|---------|-------------------|-----------------------------|------------------|----------|
| Polycarbonate | | | | | | |
| Enclosure | 738-456 | AKI56+1 | 900 mm (35.43 in) | 300 mm (11.81 in) | 142 mm (5.59 in) | 1 |

Accessories

| Ordering Information | Cat. No. | Type | Std. Pk. |
|--|----------|----------------------------|----------|
| Key Lock | 706-102 | KL2 | 1 |
| Mounting Plate – 240 x 112 mm | 795-001 | MPI 1 | 1 |
| Mounting Plate – 240 x 240 mm | 795-002 | MPI 2 | 1 |
| Mounting Plate – 240 x 390 mm | 795-003 | MPI 3 | 1 |
| Mounting Plate – 240 x 540 mm | 795-004 | MPI 4 | 1 |
| DIN Rail - 216 mm Surface Mounted | 795-030 | NS35-216/3 | 1 |
| Hinge Kit Set | 190-005 | HK2 | 1 |
| Mounting Tab Kit (metal) | 793-004 | MT2 | 1 |
| Filler Strip | 799-012 | 108 mm piece (6 divisions) | 1 |
| 2x27 Pole Ground/Neutral Terminal Strip (6 screw clamps 2.5-16mm ² , 21 spring clamps 1.5-4mm ² each) | 790-327 | AK28PE/N-SL | 1 |

Please refer to pages 149-152 for additional accessories and detailed information.



Please refer to page 158 for Knockout details.