

# Abox-i 060 – Polycarbonate – 110 x 110 mm (4.33 x 4.33 in.)

## Standard Features

- **Protection Level:** IP65
- **Technical:** Knockout Sidewalls
- **UL Recognized**
- **Enclosure Material:** Polycarbonate
- **Gasket Material:** Polyurethane
- **Color:** Light Gray
- **Material**
- **Temperature Range:** Polycarbonate  
-40°C to 120°C (-40°F to 248°F)
- **Included Accessories:** (4) M25 Double Membrane Seals - 9-16mm
- **Accessories:** See section below



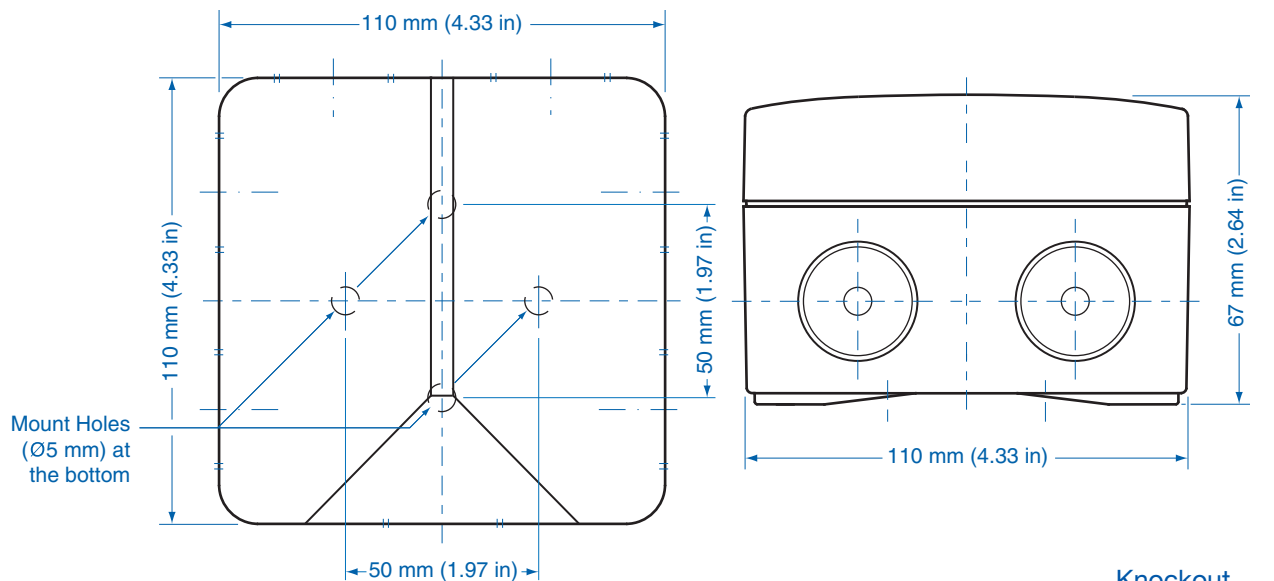
## Abox-i

Ordering Information	Cat. No.	Terminal	Length	Dimensions mm (in)		Std. Pk.
				Width	Height	
Enclosure with terminals	490-406	6mm <sup>2</sup> - 5 pole	110 mm (4.33 in)	110 mm (4.33 in)	67 mm (2.64 in)	2
Enclosure - empty	490-906	NA	110 mm (4.33 in)	110 mm (4.33 in)	67 mm (2.64 in)	2

## Accessories

Ordering Information	Cat. No.	Type	Std. Pk.
Mounting Plate	895-006	MP060	1
DIN Rail TS35 -35x81mm	198-081	TS35/81	1
Terminal (high-set)	840-006	6mm <sup>2</sup> - 5 pole	5

Please refer to pages 149-152 for additional accessories and detailed information.



## Knockout Detail

