

PIR2M

Relay Socket Combination



PIR2M



Relay: R2M (see page 58 for detailed information)

Socket: GZ2 (see page 65 for detailed information)

Technical Information

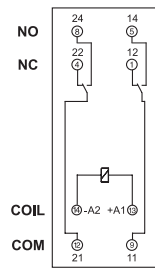
Current5 A
 Voltage.....250V AC / 24V DC
 Wire Range.....2.5 mm² / 24-14 AWG
 Torque.....0.7 Nm

PIR2M DPDT AC 50/60Hz & DC coil

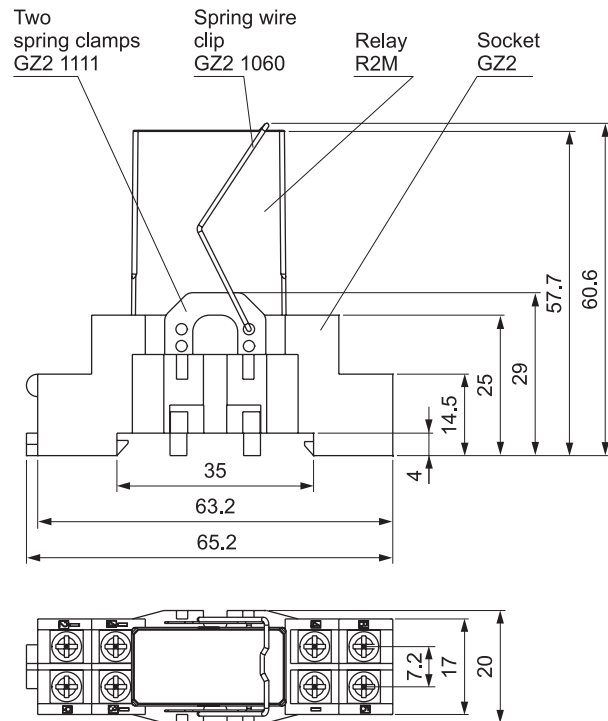
Part Number	Coil Voltage (V)	Coil Type	Coil Resistance at 20°C in Ω	Coil Operating Range	
				min. (at 20°C)	max. (at 55°C)
PIR2M-012DC-20	12	DC	188	9.6	13.2
PIR2M-024DC-20	24	DC	750	19.2	26.4
PIR2M-110DC-20	110	DC	13480	88.0	121.0
PIR2M-115AC-20	120	AC 50/60Hz	6390	96.0	132.0
PIR2M-230AC-20	230	AC 50/60Hz	21470	184.0	253.0

PIR2M

CONNECTION DIAGRAMS



DIMENSIONS



All accessories are included.